

Spare Parts Book  
Katalog náhradních dílů

**GARUDAN**<sup>®</sup>

**CTD9000 Series**



ANITA B, s.r.o.

Průmyslová 2453/7

680 01 Boskovice

Czech Republic

tel: +420 516 454 774

+420 516 453 496

fax: +420 516 452 751

e-mail: [info@anita.cz](mailto:info@anita.cz)

[www.garudan.cz](http://www.garudan.cz)

Všechna práva vyhrazena.

Vlastnictví Anita B s r.o. a chráněno autorským právem. Použití tohoto obsahu bez písemného souhlasu Anita B s r.o. zakázáno.

Copyright © Anita B s r.o. (2016)

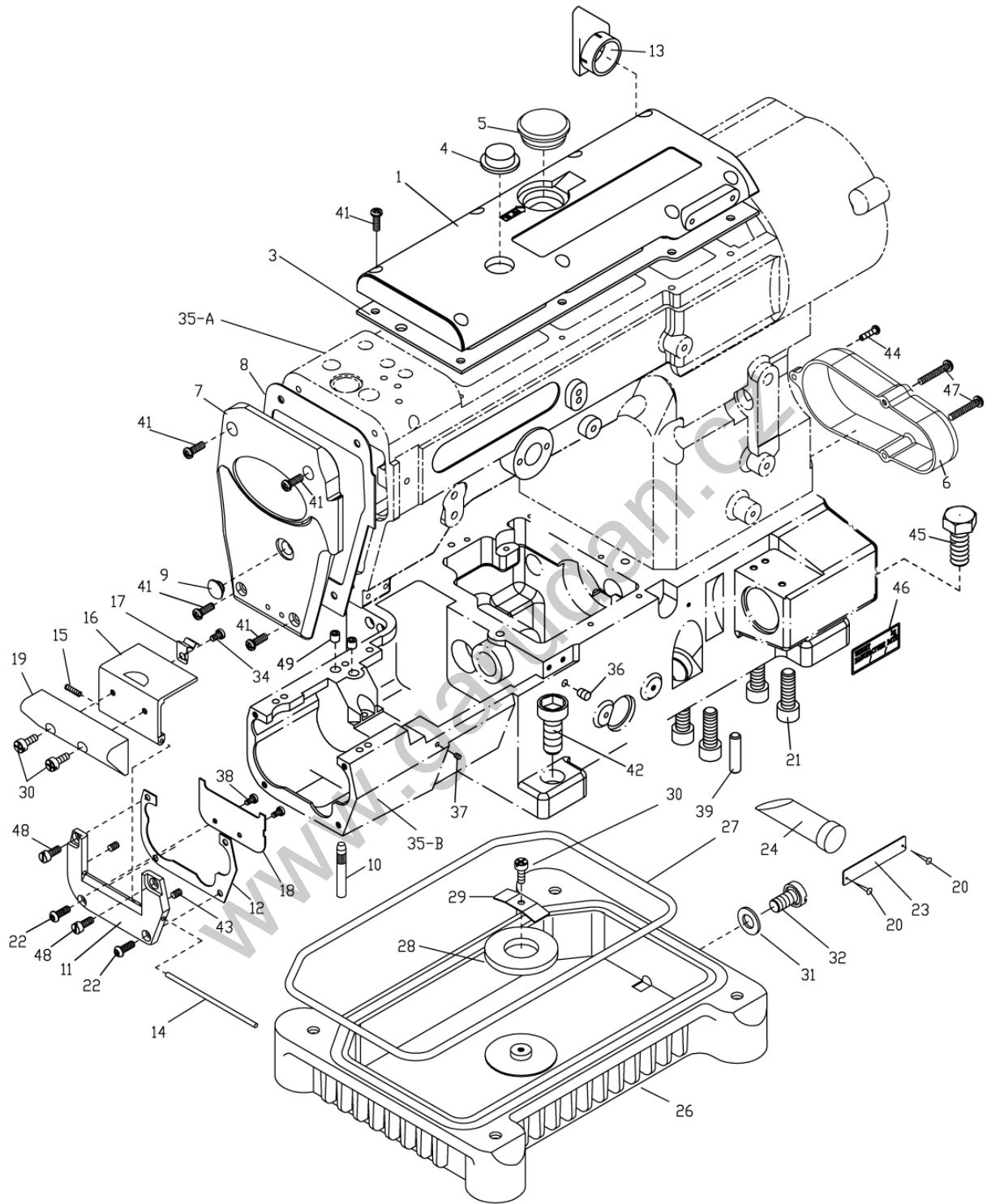
All rights reserved

All rights reserved property of Anita B and protected by copyright. The use of this content without written permission is prohibited. Copyright © Anita B s r.o. (2016)

## Contents/Obsah

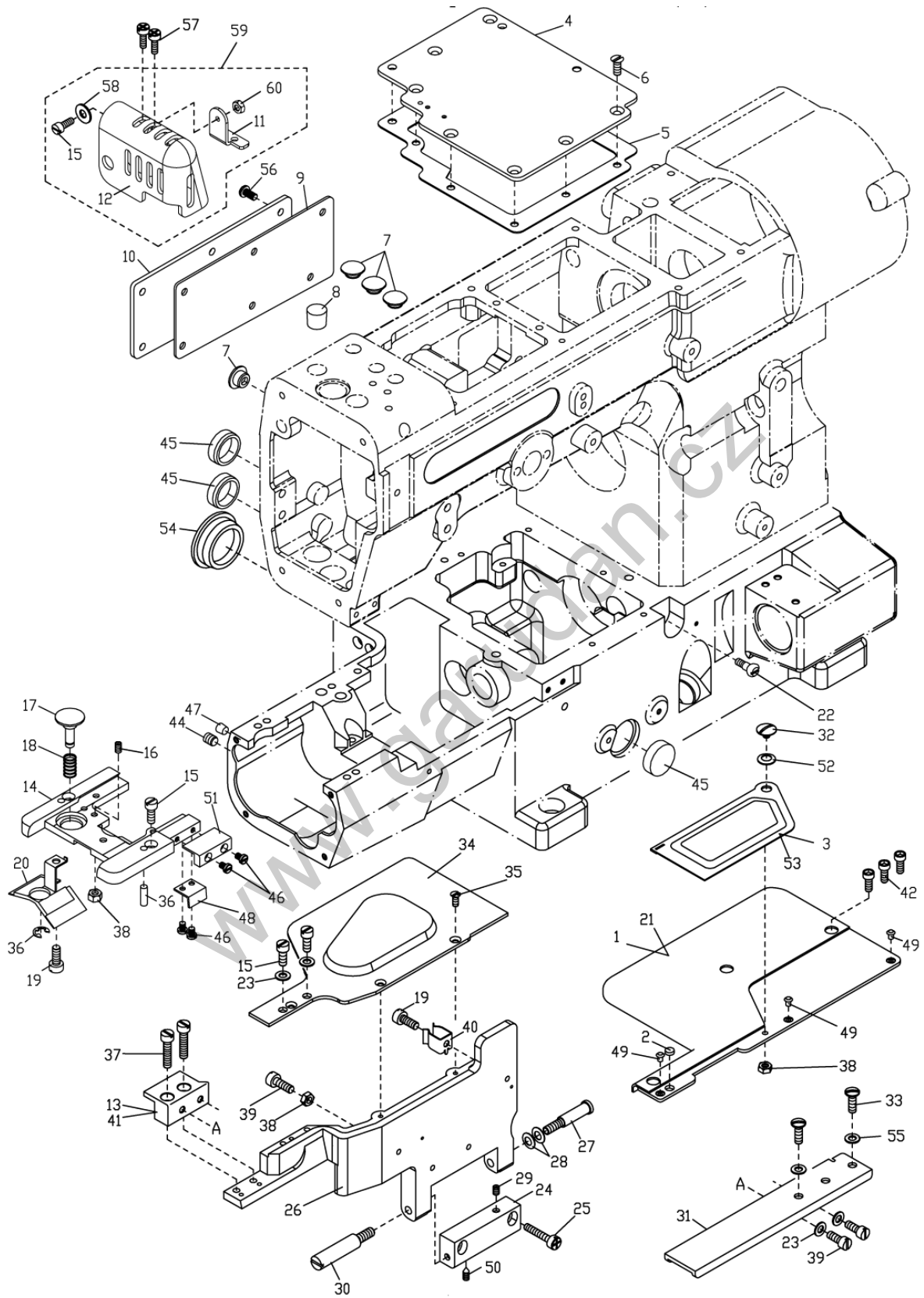
1. FRAME COMPONENTS .....	4
2. FRAME COMPONENTS (1/2) .....	6
2. FRAME COMPONENTS (2/2) .....	8
3. THREAD GUIDE TENSION COMPONENTS (1/2).....	10
3. THREAD GUIDE TENSION COMPONENTS (2/2).....	12
4. BUSHING AND SEAL .....	14
5. LOWER MAIN SHAFT COMPONENTS (1/2) .....	16
5. LOWER MAIN SHAFT COMPONENTS (2/2) .....	18
6. UPPER MAIN SHAFT COMPONENTS (1/2) .....	20
6. UPPER MAIN SHAFT COMPONENTS (2/2) .....	22
7. NEEDLE BAR COMPONENTS.....	24
8. PRESSER FOOT COMPONENTS (1/2).....	26
8. PRESSER FOOT COMPONENTS (2/2).....	28
9. SPREADER MECHANISM .....	30
10. LOOPER DRIVING MECHANISM (1/2) .....	32
10. LOOPER DRIVING MECHANISM (2/2) .....	34
11. FEED CONTROL DRIVING .....	36
12. NEEDLE GUIDE AND GEED DOG DRIVING (1/2).....	38
12. NEEDLE GUIDE AND GEED DOG DRIVING (2/2).....	40
13. LUBRICATION SYSTEM (1/2) .....	42
13. LUBRICATION SYSTEM (2/2) .....	44
14. THREAD STAND.....	46
15. SUPPORTING BOARD .....	48
16. ACCESSORIES .....	50
I. SPREAER THREAD TRIMMER COMPONENTS (1/2).....	51
II. SPREAER THREAD TRIMMER COMPONENTS.....	54
III. UNDER TRIMMER COMPONENTS (1/2).....	56
III. UNDER TRIMMER COMPONENTS (2/2).....	58
IV. COMPRESSED AIR COMPONENTS (1/2) .....	60
IV. COMPRESSED AIR COMPONENTS (2/2) .....	62
V. THREAD TENSION COMPONENTS AND MOTOR COMPONENTS (1/2).....	64
V. THREAD TENSION COMPONENTS AND MOTOR COMPONENTS (2/2).....	66
VI. ELECTRIC TYPE COMPONENTS (1/2).....	68
VI. ELECTRIC TYPE COMPONENTS (2/2).....	70
VII. THREAD TENSION COMPONENTS AND MOTOR COMPONENTS (1/2) .....	72
VII. THREAD TENSION COMPONENTS AND MOTOR COMPONENTS (2/2) .....	74
VIII. AIR-WIPE COMPONENTS.....	76
IX. THREAD-WIPE COMPONENTS .....	78
X. GAUGE PARTS LIST .....	80

1. FRAME COMPONENTS



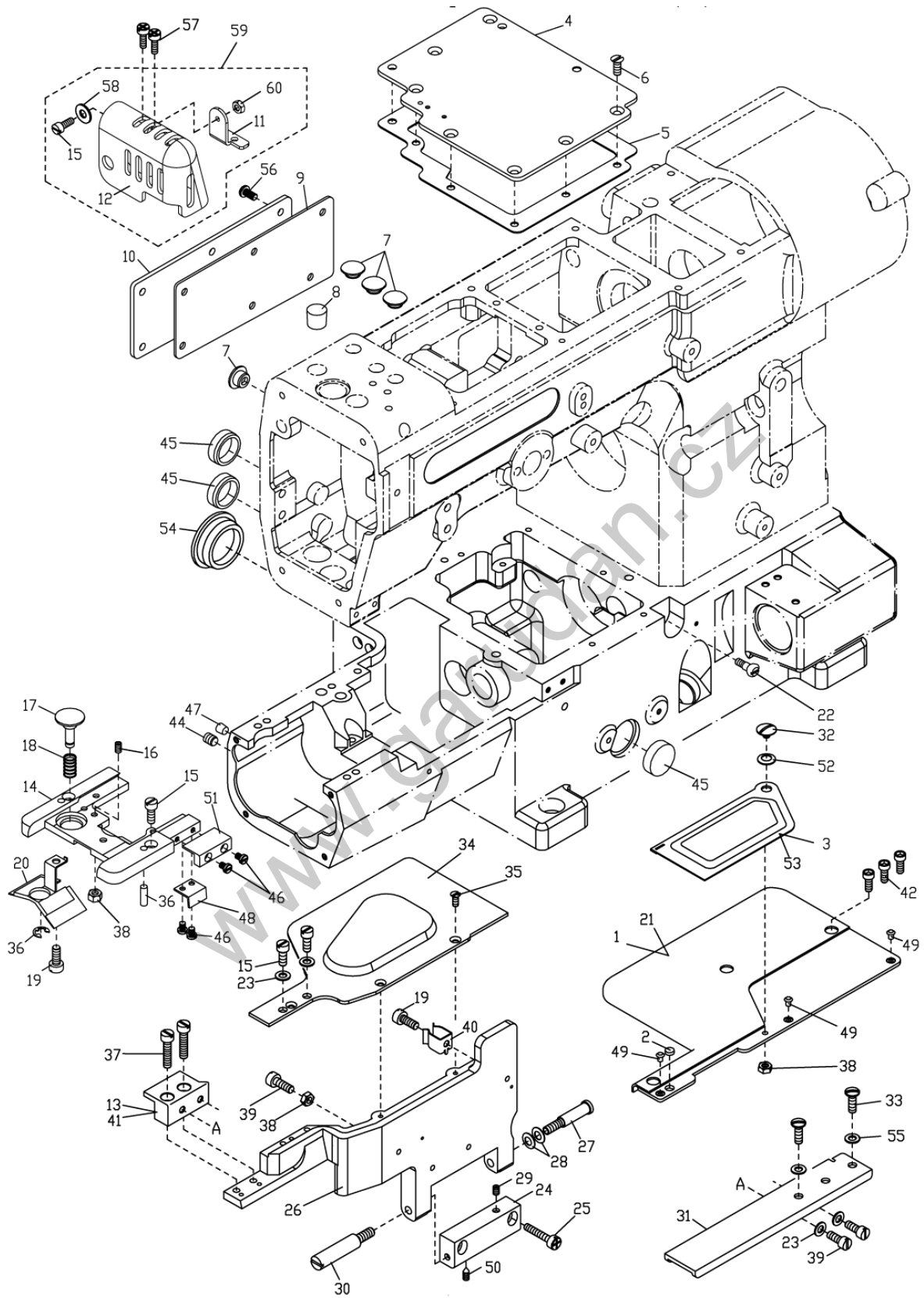
1. FRAME COMPONENTS			
Ref. No.	Parts No.	Description	QTY
1	22400001011	Top Cover	1
3	22400001031	Gasket	1
4	22400001041	Oil Window	1
5	22200002552	Plug	1
6	2240000106	Side Cover	1
7	22400001071	Needle Cover	1
8	2240000108	Gasket	1
9	22000001091	Plug	1
10	2200000110	Supporting Bar	4
11	2220000111	Bucket	1
12	2220000112	Gasket	1
13	22400001131	Guid Pipe	1
14	2220000114	Hinge Pin	1
15	2220000115	Spring	1
16	2220000116	Side Cover	1
17	2220000117	Latch Spring	1
18	22200001181	Defender	1
19	2220000119	Side Cover	1
20	66620	Rivet	2
21	8MM10603016A	Serew (M10-1.5*30)	4
22	8MP85241006A	Screw (M3.5-0.6*10)	2
23	66480-14	Machine No. Plate	1
24	2220000124	Oil Sign Gauge	1
26	2220000126	Oil Reservoir	1
27	2200000127	Gasket	1
28	2200000128	Magnet	1
29	2200000129	Holder	1
30	8MC04280807D	Screw (M4-0.7*8)	3
31	2100000244	Seal	1
32	8SM95281017A	Stud (3/8"-28*10)	1
34	8MK04280507A	Screw (M4-0.7*5)	1
35	2240000135	Frame Unit	1
36	2200000136	Plug	1
37	2200000137	Plug	1
38	8MB03200405A	Screw (M3-0.5*4)	2
39	2200000139	Knock Pin	2
41	8MC04281207D	Screw (M4-0.7*12)	12
42	8MM08502013A	Screw (M8-1.25*20)	3
43	8MN03200300A	Screw (M3-0.5*3)	2
44	8MC04281607D	Screw (M4-0.7*16)	1
45	8MK08502013A	Screw (M8-1.25*20)	1
46	66477-4	Weight Paster	1
47	8MC04283307D	Screw (M4-0.7*33)	2
48	8MB85241006K	Screw (M3.5-0.6*10)	2
49	8MN06400600A	Screw (M6-1*6)	2

2. FRAME COMPONENTS (1/2)



<b>2. FRAME COMPONENTS (1/2)</b>			
<b>Ref. No.</b>	<b>Parts No.</b>	<b>Description</b>	<b>QTY</b>
*1	2270000201	Cloth Plate	1
2	2270000202	Magnet	1
*3	2270000203	Dust Cover	1
4	2270000204	Lower Shaft Cover	1
5	2220000205	Gasket	1
6	8ME04280708A	Screw (M4-0.7*7)	7
7	22000001091	Plug	4
8	22000002081	Plug	1
9	2200000209	Gasket	1
10	2200000210	Rear Cover	1
11	2270000211	Base	1
12	22700002121	Needle Bar Protector	1
*13	2270000213	Movable Block	1
14	2220000214	Needle Plate Seat	1
15	8MB04280807K	Screw (M4-0.7*8)	5
16	8MN04281000A	Screw (M4-0.7*10)	1
17	2220000217	Push Button	1
18	2200000218	Spring	1
19	8MC04280507D	Screw (M4-0.7*5)	2
20	2220000220	Oil Defender	1
**21	2270000221	Cloth Plate	1
22	8MD04281408C	Stud (M4-0.7*5)	1
23	2100000223	Washer	4
24	2200000224	Hinge	1
25	8MC04281407D	Screw (M4-0.7*14)	2
26	2270000226	Front Cover	1
27	8MB04283809E	Stud (M4-0.7*38)	1
28	2200000228	Disk Washer	2
29	8MN04280400A	Screw (M4-0.7*4)	1
30	8MB04280605M	Stud (M4-0.7*6)	1
31	2200000231	Auxiliary Cloth Plate	1
32	8MC04280512B	Screw (M4-0.7*5)	1
33	8MB05321008K	Screw (M5-0.8*10)	2
34	2270000234	Cloth Plate	1
35	8ME03200606A	Screw (M3-0.5*6)	3
36	90ST0410	Knock Pin	2
37	8MC04281407D	Screw (M4-0.7*14)	2
38	8MA04280307A	Nut (M4-0.7*3)	3
39	8MB04281207K	Screw (M4-0.7*12)	3

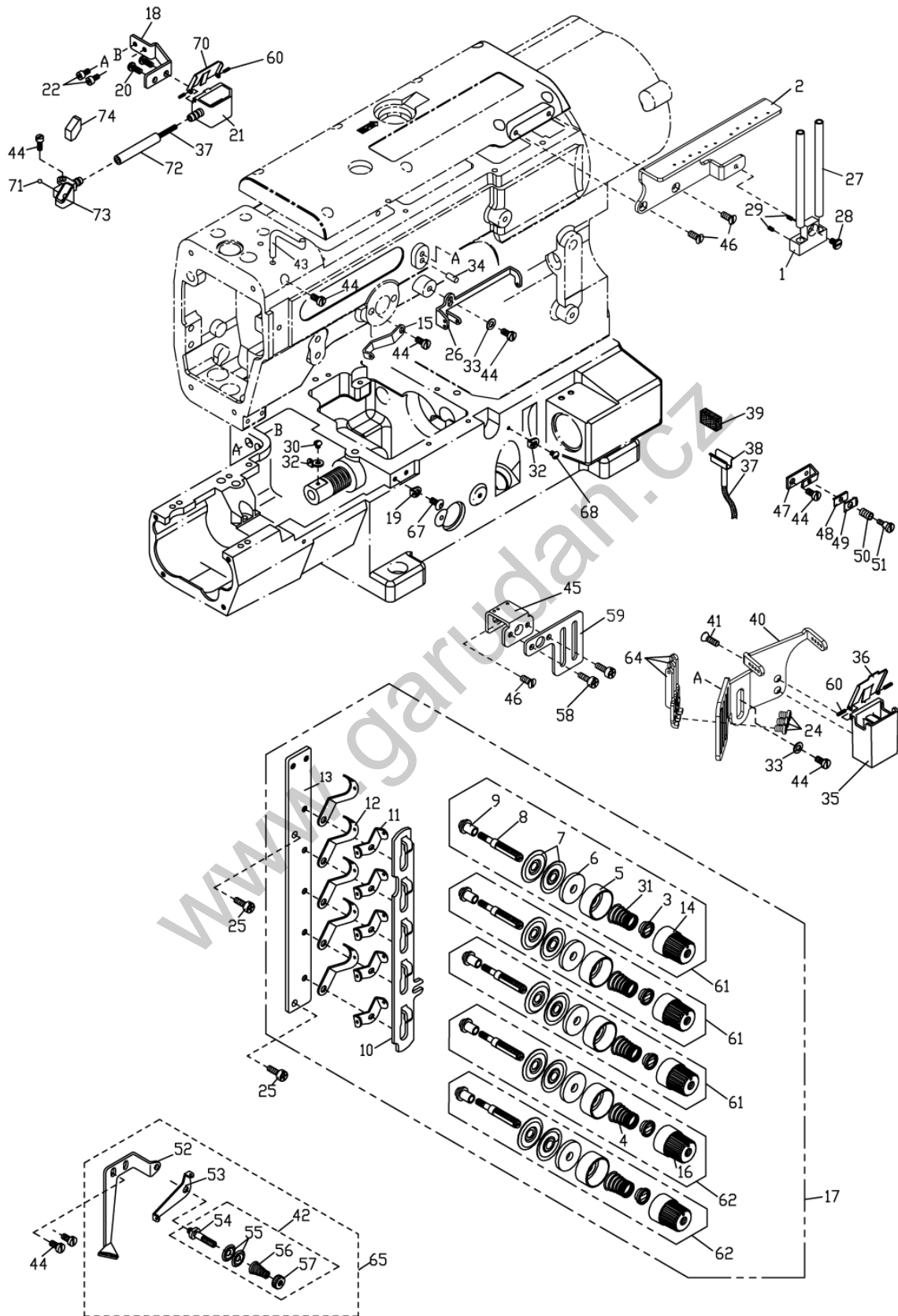
2. FRAME COMPONENTS (2/2)





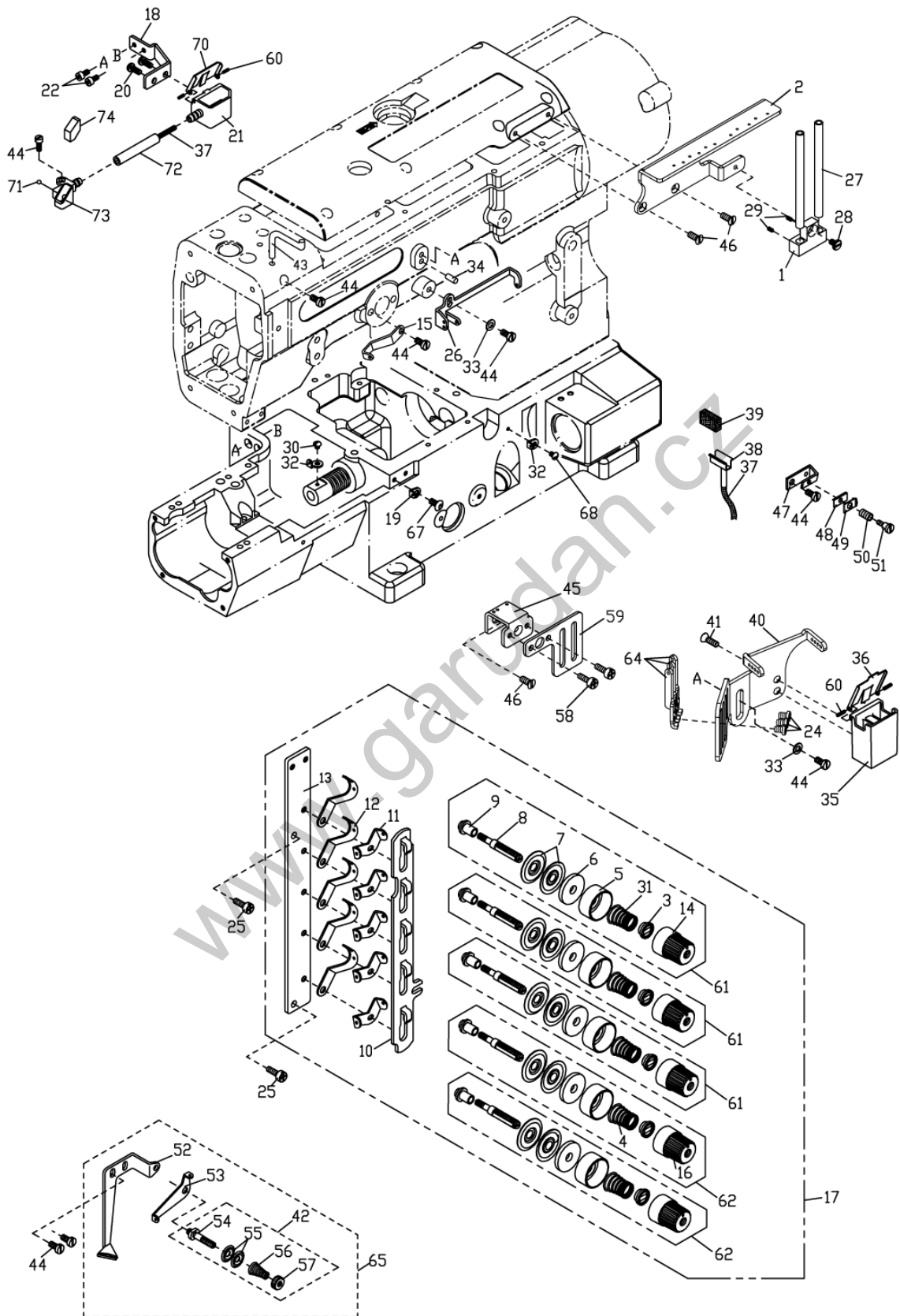
2. FRAME COMPONENTS (2/2)			
Ref. No.	Parts No.	Description	QTY
40	2200000121	Latch Spring	1
**41	2270000241	Movable Block	1
42	8MM04281207A	Screw (M4-0.7*12)	3
43	90ER040	E-Ring	1
44	8MN06400600A	Screw (M6-1*6)	2
45	22000002451	Plug	3
46	8MB03200405A	Screw (M3-0.5*4)	4
47	22000002471	Plug	2
48	2200000250	Defender	1
49	22100001191	Rubber Cushion	3
50	8MN04280500C	Screw (M4-0.7*5)	1
51	2220000257	Defender	1
52	2200000124	Disc Washer	1
**53	2270000253	Dust Cover	1
54	22000002461	Plug	1
55	2200001025	Washer	2
56	8MC04281007D	Screw (M4-0.7*10)	6
57	8MC04280807D	Screw (M4-0.7*8)	2
58	90DW040	Washer	1
59	227A0000259	Needle Bar Protector Asm.	1
60	8MA04280207A	Nut (M4-0.7*2.5)	1
	*For 40M, 48M,56M		
	** For 64M		

3. THREAD GUIDE TENSION COMPONENTS (1/2)

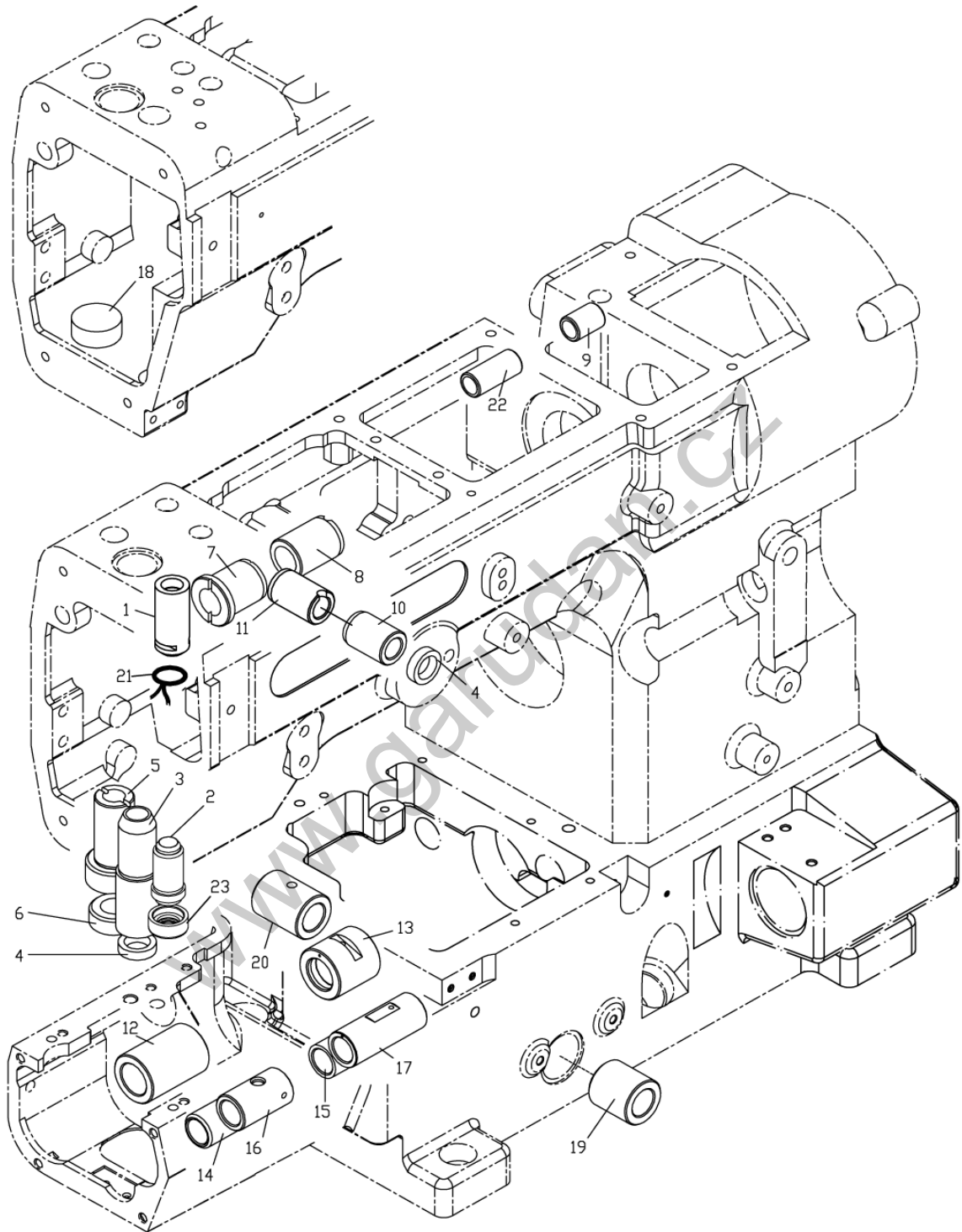


<b>3. THREAD GUIDE TENSION COMPONENTS (1/2)</b>			
<b>Ref. No.</b>	<b>Parts No.</b>	<b>Description</b>	<b>QTY</b>
1	2240000301	Thread Guide Holder	1
2	22400003021	Thread Guide Holder	1
3	2200000303	Bushing	5
4	2100041131	Spring ( Yellow )	2
5	2200000305	Spring Seat	5
6	2100001127	Felt	5
7	2100001126	Tension Disc	10
8	22000003081	Stud	5
9	22000003091	Spacer	5
10	4UTB000419	Release Wedge	1
11	2200000311	Thread Guide	5
12	2200000312	Thread Guide	5
13	4UTB000420	Tension Post Support	1
14	2100001121	Tension Nut ( Red )	3
15	2210000317	Thread Guide	1
16	2100001121A	Tension Nut ( Yellow )	2
17	224A0000317	Therad Tension Mechanism	1
18	2270000318	Knife Holder Bracket	1
19	2270000319	Thread Guide	1
20	8TC85520806A	Screw	2
21	22000007261	Cooler Oil Tank	1
22	8MM04280807A	Screw (M4-0.7*8)	2
24	8MB03200405A	Screw (M3-0.5*4)	3
25	8MC04280807D	Screw (M4-0.7*8)	2
26	2210000326	Thread Guide	1
27	2200000327	Thread Guide Pipe	2
28	8MB04280608A	Screw (M4-0.7*6)	1
29	8MN03200300A	Screw (M3-0.5*3)	2
30	8MD03200306A	Screw (M3-0.5*3)	1
31	2100001123	Spring ( Red )	3
32	2200001008	Thread Guide	2
33	2100000223	Washer	2
34	90ST0410	Knock Pin	1
35	22000003351	Cooler Oil Tank	1
36	2200000336	Cooler Oil Tank Cover	1
37	66800	Oil Wick	2
38	2200000338	Wick Clamp	1
39	2200000339	Felt	1

3. THREAD GUIDE TENSION COMPONENTS (2/2)

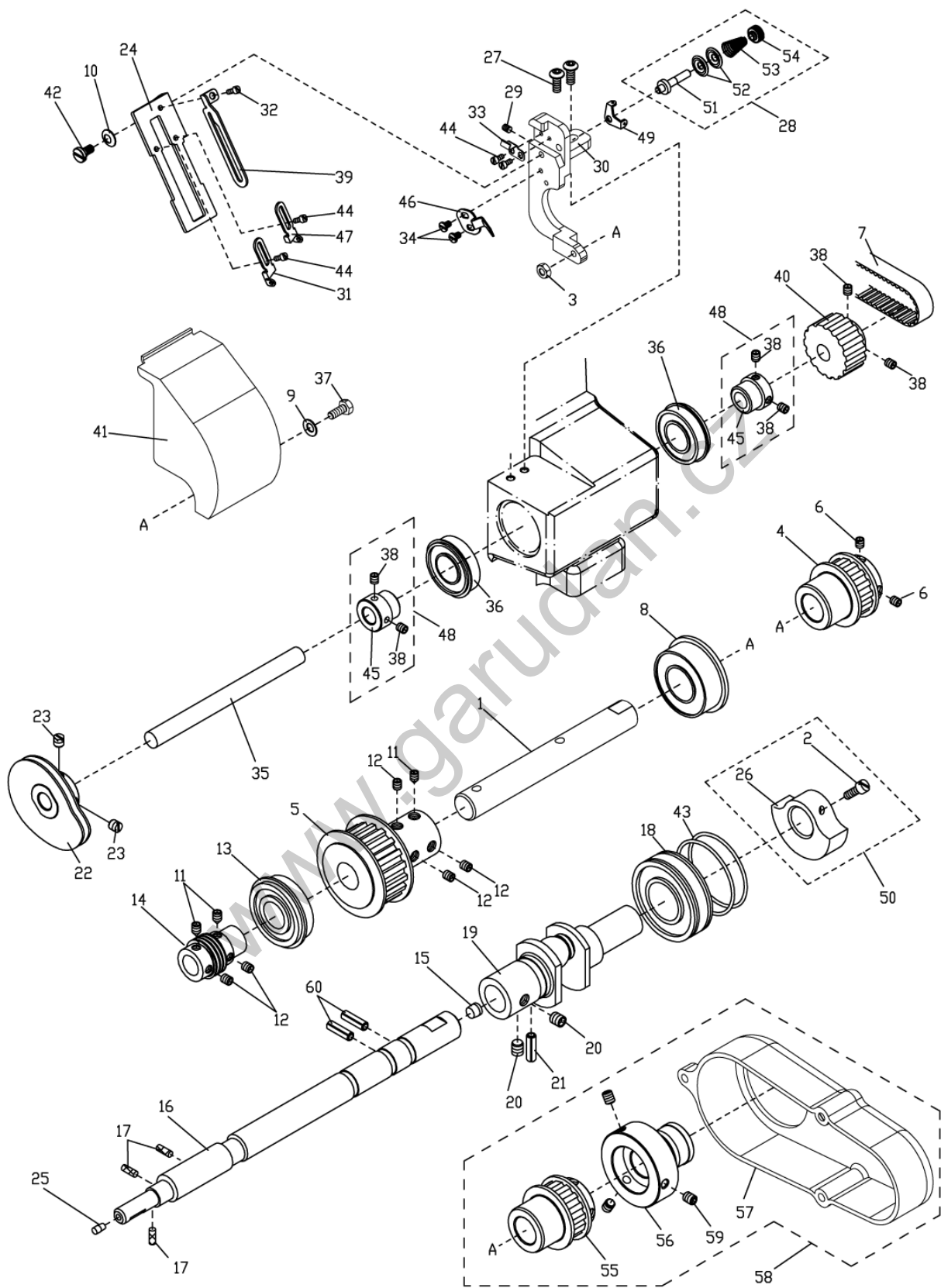


<b>3. THREAD GUIDE TENSION COMPONENTS (2/2)</b>			
<b>Ref. No.</b>	<b>Parts No.</b>	<b>Description</b>	<b>QTY</b>
40	2270000340	Thread Guide	1
41	8TE03440806A	Screw	2
42	227A0000342	Thread Retainer Asm	1
43	22000003431	Thread Guide	1
44	8MB04280807K	Screw (M4-0.7*8)	8
45	2200000345	Thread Guide	1
46	8ME04280708A	Screw (M4-0.7*7)	3
47	2200000347	Thread Retainer Support	1
48	2200000348	Thread Guide Plate	1
49	2200000349	Tension Control plate	1
50	22000003501	Spring	1
51	8MC03200807G	Stud (M3-0.5*8)	1
52	2200000352	Thread Guide	1
53	2200000353	Thread Guide	1
54	2200000354	Stud	1
55	2200000355	Tension Disc	2
56	2200000356	Spring	1
57	2200000357	Nut	1
58	8MC04280507D	Screw (M4-0.7*5)	2
59	2200000359	Take-up Arm Protect	1
60	90SP0206T	Spring Pin	4
61	231A0001922	Thread Asm. ( Red )	3
62	220A0000315	Thread Asm. ( Yellow )	2
64	2270000364	Thread Guide	3
65	220A0000365	Therad Tension Mechanism	1
67	8MP04280808A	Screw (M4-0.7*8)	1
68	8MD03200606A	Screw (M3-0.5*6)	1
70	2200000725	Cooler Oil Tank Cover	1
71	2100000403	Plug	1
72	2200000729	Oil Tube	1
73	22000007311	Felt Seat	1
74	2200000732	Felt	1

**4. BUSHING AND SEAL**

4. BUSHING AND SEAL			
Ref. No.	Parts No.	Description	QTY
1	2210000401	Bushing	1
2	22000004021	Bushing	1
3	2200000403	Bushing	1
4	2200000404	Oil Seal	2
*5	2220000405	Bushing	1
*6	2200000406	Oil Seal	1
*7	2210000408	Bushing	1
*8	2200000408	Bushing	1
9	2240000409	Bushing	1
10	22000004101	Bushing	1
11	2200000411	Bushing	1
12	2200000412	Bushing	1
13	2200000413	Bushing	1
14	2200000414	Bushing	1
15	2200000415	Bushing	1
16	2200000416	Bushing	1
17	2200000417	Bushing	1
**18	2200000422	Plug	1
19	2200000419	Bushing	1
20	2200000420	Bushing	1
21	66800	Oil Wick	1
22	2240000422	Bushing	1
23	2270001017	Rubber Washer	1
	*With top cover thread		
	**Without top cover thread		

5. LOWER MAIN SHAFT COMPONENTS (1/2)

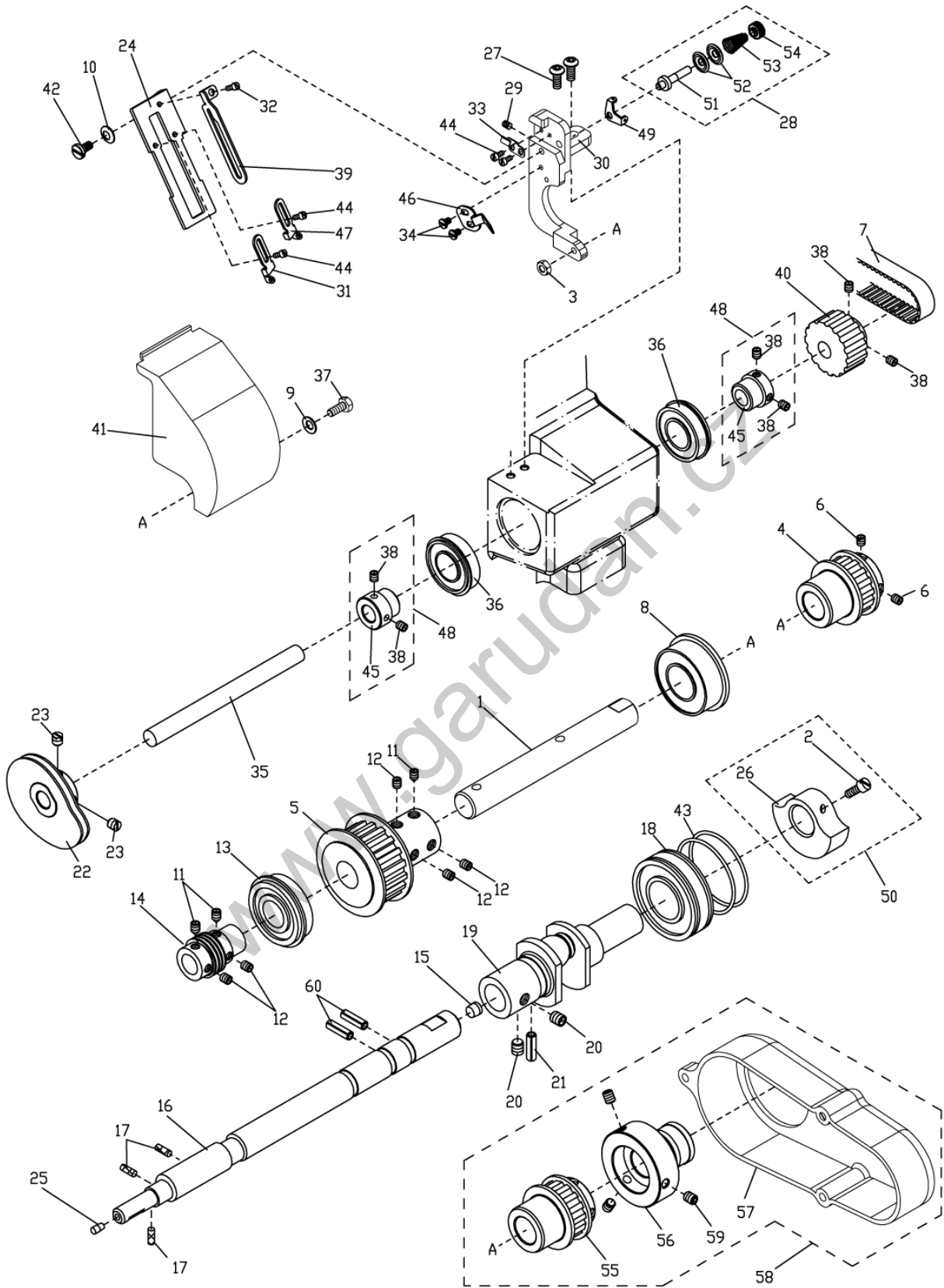




## 5. LOWER MAIN SHAFT COMPONENTS (1/2)

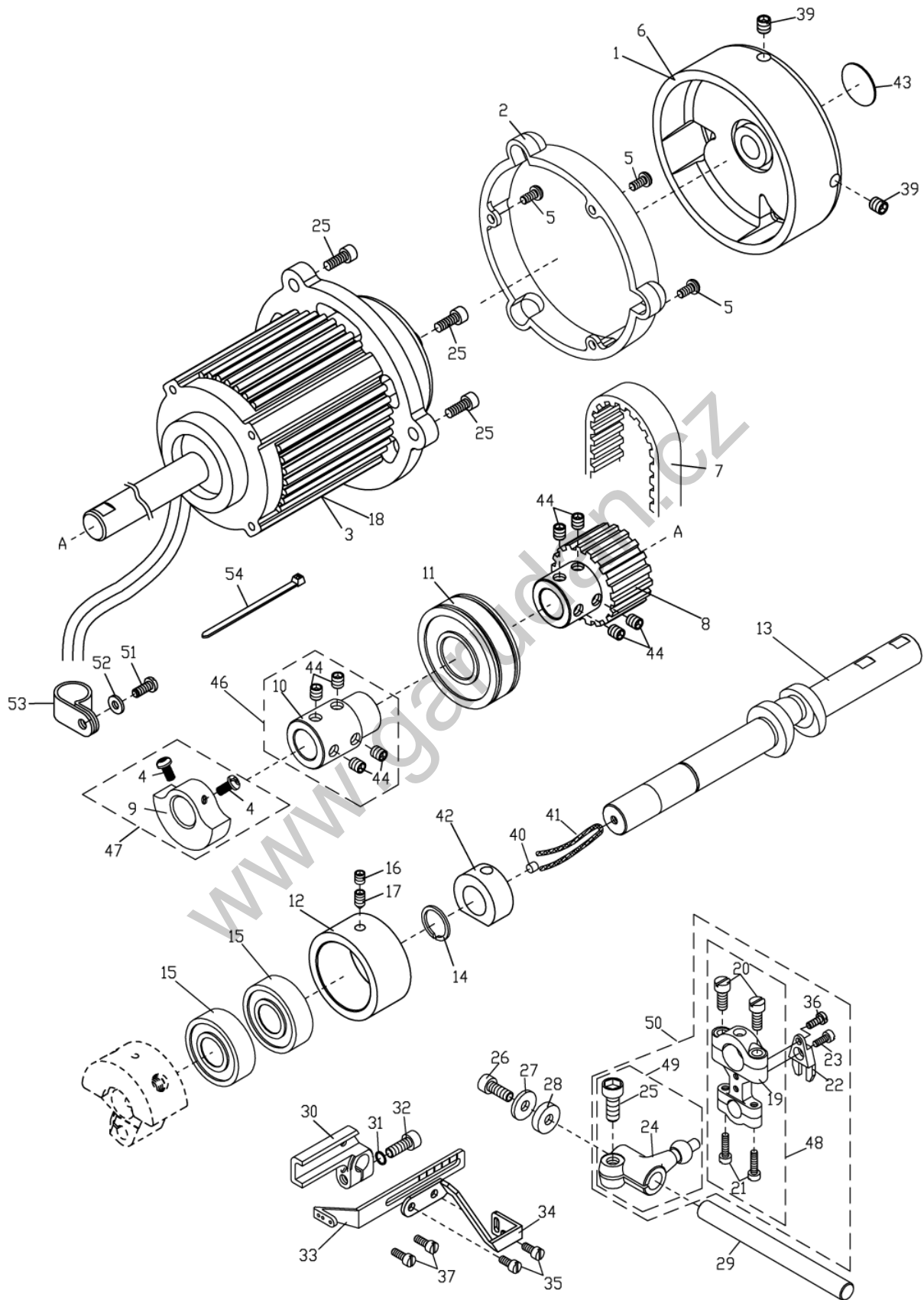
Ref. No.	Parts No.	Description	QTY
1	22400005011	Shaft	1
2	8MB04280807K	Screw (M4-0.7*8)	2
3	8MA04280307A	Nut (M4-0.7*3)	1
4	2220000504	Timeing Pulley	1
5	2240000505	Timeing Pulley	1
6	8MN05320500E	Screw (M5-0.8*5)	2
7	90TB2853GT	Timeing Belt	1
8	90BB2552154	Ball Bearing	1
9	90DW040	Disk Washer	1
10	2200000228	Disk Washer	1
11	8MN06400800C	Screw (M6-1*8)	3
12	8MN06400600A	Screw (M6-1*6)	5
13	90BB2047144	Ball Bearing	1
14	2200000508	Warm	1
15	2200000515	Plug	1
16	2200000516	Shaft	1
17	66801	Oil Wick	3
18	90BB2042122	Ball Bearing	1
19	2200000512	Crank Shaft	1
20	8MN06400500A	Screw (M6-1*5)	2
21	90SP0206	Pin	1
22	2270000522	Looper Thread Takeup Cam	1
23	8MH05320400A	Screw (M5-0.8*4)	2
24	2270000524	Thread Guide Seat	1
25	2200000550	Plug	1
26	2200000509	Balance Weight	1
27	8MP04281008A	Screw (M4-0.7*10)	2
28	227A0000342	Thread Retainer Asm	1
29	8MN03200500A	Screw (M3-0.5*5)	1
30	22700005301	Bracket	1
31	2220000548	Thread Guide	1
32	8MB03200306A	Screw (M3-0.5*3)	1
33	22700005331	Latch Spring	1
34	8MB03200405A	Screw (M3-0.5*4)	2
35	2270000535	Shaft	1
36	90BB152807	Ball Bearing	2
37	8MK04281007A	Screw (M4-0.7*10)	1
38	8MN04280400A	Screw (M4-0.7*4)	6
39	2270000539	Thread Guide	1

5. LOWER MAIN SHAFT COMPONENTS (2/2)



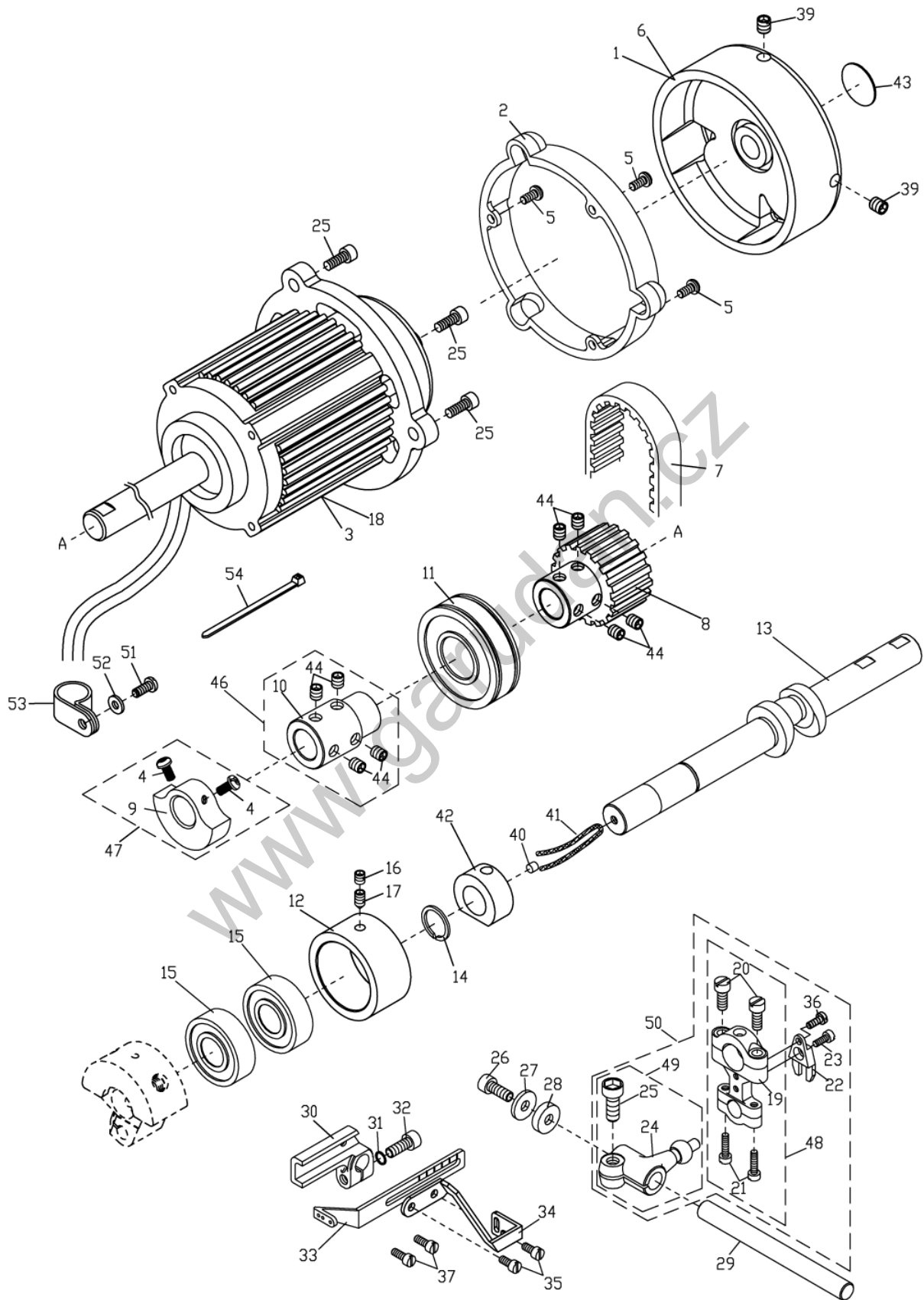
5. LOWER MAIN SHAFT COMPONENTS (2/2)			
Ref. No.	Parts No.	Description	QTY
40	2220000540	Timeing Pulley	1
41	22700005411		1
42	8MB04281008G	Screw (M4-0.7*10)	1
43	2200000547	O Ring	2
44	8MB75180405A	Screw (M2.5-0.45*3.5)	4
45	2270000545	Joint	2
46	2220000550	Latch Spring	1
47	2220000547	Thread Guide	1
48	227A0000552	Joint Asm	2
49	2270000317	Thread Guide	1
50	222A0000647	Balance Weight Asm	1
51	2200000354	Stud	1
52	2200000355	Tension Disc	2
53	2200000356	Spring	1
54	2200000357	Nut	1
*55	2240000555	Timeing Pulley	1
*56	2240000556	Joint	1
*57	2240000557	Side Cover	1
*58	224A0000558	Joint Asm	1
*59	8MN05320600A	Screw (M5-0.8*6)	3
60	90SP0206T	Pin	2
	*Custom-made Item		

6. UPPER MAIN SHAFT COMPONENTS (1/2)



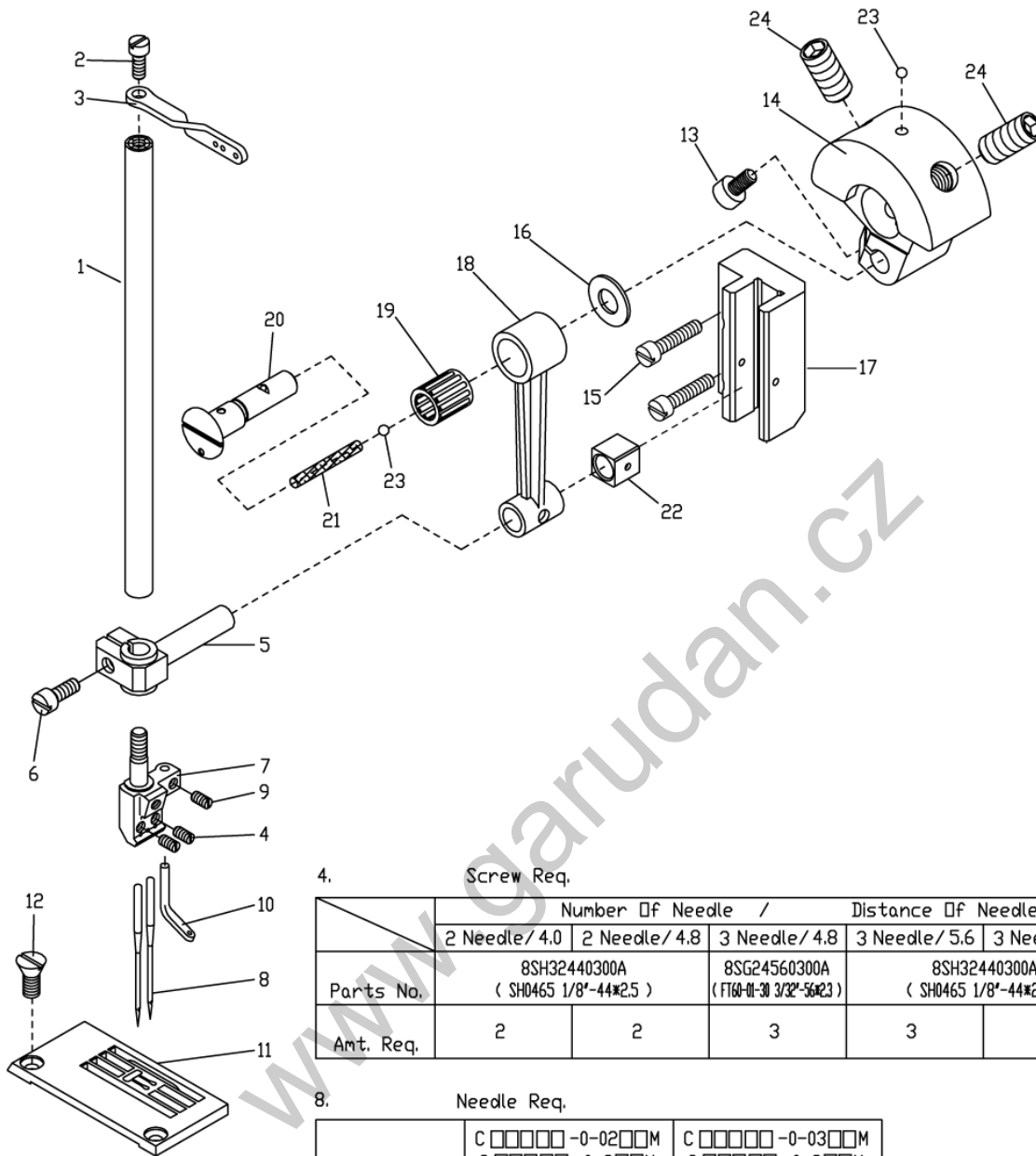
6. UPPER MAIN SHAFT COMPONENTS (1/2)			
Ref. No.	Parts No.	Description	QTY
▲1	2240000601	Handwheel	1
2	2240000602	Cover	1
▲3	22400006032	Mini Motor	1
4	8MB04280807K	Screw( M4-0.7*8)	2
5	8MP04280808A	Screw (M4-0.7*8)	3
△6	2240000601S	Handwheel	1
7	2200000607	Timeing Belt	1
8	22400006081	Timeing Pulley	1
9	2200000509	Balance Weight	1
10	2200000610	Joint	1
11	90BB204714	Ball Bearing	1
12	2240000612	Bearing Sleeve	1
13	2210000613	Crank Shaft	1
14	90SCR150	C Ring	1
15	90BB1535115	Ball Bearing	2
16	8MN06400400A	Screw (M6-1*4)	1
17	8MN06400600C	Screw( M6-1*6)	1
△18	2240000603S	Mini Motor	1
19	2200000619	Connecting Rod	1
20	8MB95301407K	Screw(M4.5-0.75*14)	2
21	8MB85241006K	Screw (M3.5-0.6*10)	2
22	2200000622	Orient Guide	1
23	8MB03200806K	Screw ( M3-0.5*8)	1
24	2200000624	Ball Lever	1
25	8MM06401610A	Screw (M6-1*16)	4
26	8MM05321009A	Screw ( M5-08*10)	1
27	2200000627	Washer	1
28	2200000628	Spacer	1
29	2200000629	Shaft	1
30	2200000630	Bracket	1
31	90SW050	Spring Washer	1
32	8MM05321409A	Screw (M5-0.8*14)	1
33	2200000633	Thread Take-up	1
*34	2220000634	Thread Take-up	1
*35	8MB85240807K	Screw (M3.5-0.6*8)	2
36	8MB03200806A	Screw (M3-0.5*8)	1
**37	8MB85240607K	Screw ( M3.5-0.6*6)	2
39	8MN06400800A	Screw (M6-1*8)	2
40	2100001404	Plug	1

6. UPPER MAIN SHAFT COMPONENTS (2/2)



6. UPPER MAIN SHAFT COMPONENTS (2/2)			
Ref. No.	Parts No.	Description	QTY
41	66800	Oil Wick	1
42	2240000642	Oil Sleeve	1
43	66485-10	Plate	1
44	8MN06400600A	Screw (M6-1*6)	8
46	222A0000646	Joint Asm	1
47	222A0000647	Balance Weight Asm	1
48	222A0000648	Connecting Rod Asm	1
49	222A0000649	Ball Lever Asm	1
50	222A0000650	Connecting Rod Asm	1
51	8MB04281007K	Screw (M4-0.7*10)	1
52	2100000223	Washer	1
53	4MN0210108	Cord Clamp	1
54	4UTB020306	Plastic Binding Wire	1
	▲ Ho hsing motor (Optional)		
	△Shokei motor (Optional)		
	*With top cover thread		
	**Without top cover thread		

7. NEEDLE BAR COMPONENTS



4. Screw Req.

	Number Of Needle /		Distance Of Needles		
	2 Needle / 4.0	2 Needle / 4.8	3 Needle / 4.8	3 Needle / 5.6	3 Needle / 6.4
Parts No.	8SH32440300A ( SH0465 1/8"-44*2.5 )		8SG24560300A ( F160-01-30 3/32"-56*2.3 )	8SH32440300A ( SH0465 1/8"-44*2.5 )	
Amt. Req.	2	2	3	3	3

8. Needle Req.

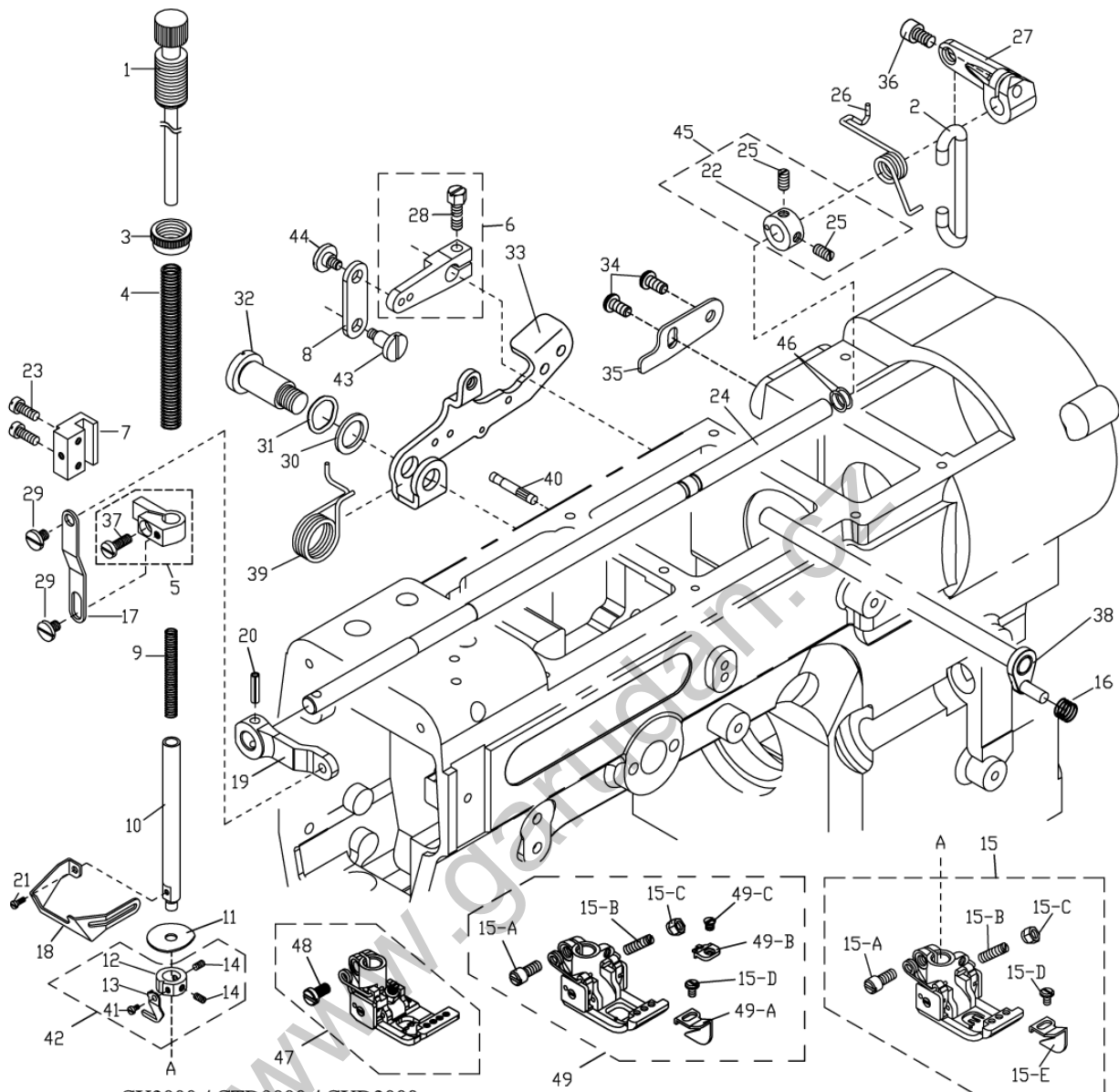
UY128GAS 66725-11-5	C □ □ □ □ □ -0-02 □ □ M	C □ □ □ □ □ -0-03 □ □ M
	C □ □ □ □ □ -0-2 □ □ M	C □ □ □ □ □ -0-3 □ □ M
	C □ D □ □ □ □ -0-02 □ □ M	C □ D □ □ □ □ -0-03 □ □ M
	C □ D □ □ □ □ -0-2 □ □ M	C □ D □ □ □ □ -0-3 □ □ M
Needle	2	3

Ref.No.	Description	Number Of Needle /		Distance Of Needles		
		2 Needle/4.0	2 Needle/4.8	3 Needle/4.8	3 Needle/5.6	3 Needle/6.4
7	Needle Clamp	5220NC00400	5220NC00480	5220NC00485	5227NC00560	5227NC00640
11	Needle Plate	5222TP00401	5220TP00484	5220TP00484	5220TP00564	5220TP00642



7. NEEDLE BAR COMPONENTS			
Ref. No.	Parts No.	Description	QTY
1	22000007011	Needle Bar	1
2	8MB85240607K	Screw (M3.5-0.6*6)	1
3	2200000703	Thread Guide	1
4	-----	Screw ( See Left Page )	-
5	2210000705	Needle Bar Clamp	1
6	8MB95301107K	Screw (M4.5-0.75*11)	1
7	-----	Needle clamp (See Left Page)	1
8	-----	Needle(See Left Page)	-
9	8SH32440300A	Screw (1/8"-44*2.5)	1
*10	2200000710	Thread Guide	1
11	-----	Needle Plate (See Left Page)	1
12	8SF36400706C	Screw (9/64"-40*7.5)	2
13	8MM05321009A	Screw (M5-0.8*10)	1
14	2270000714	Balance Weight	1
15	8MB04281607A	Screw (M4-0.7*16)	2
16	2270000716	Washer	1
17	2210000727	Guide Block	1
18	2210000720	Connecting Rod	1
19	90NB081113	Needle Bearing	1
20	2270000720	Rod Pin	1
21	66800	Oil Wick	1
22	2200000722	Slide Block	1
23	2100001404	Plug	2
24	8MN08401600E	Screw (M8-1*16)	2
	* With top cover thread		

**8. PRESSER FOOT COMPONENTS (1/2)**



CX2000 / CTD9000 / CXD2000

Ref.No.	Description	Number Of Needle /			Distance Of Needles	
		2 Needle/4.0	2 Needle/4.8	3 Needle/4.8	3 Needle/5.6	3 Needle/6.4
15	Presser foot asm	5220PF00404	5220PF00484	5220PF00485	5220PF00564	5220PF00644

CTD9711

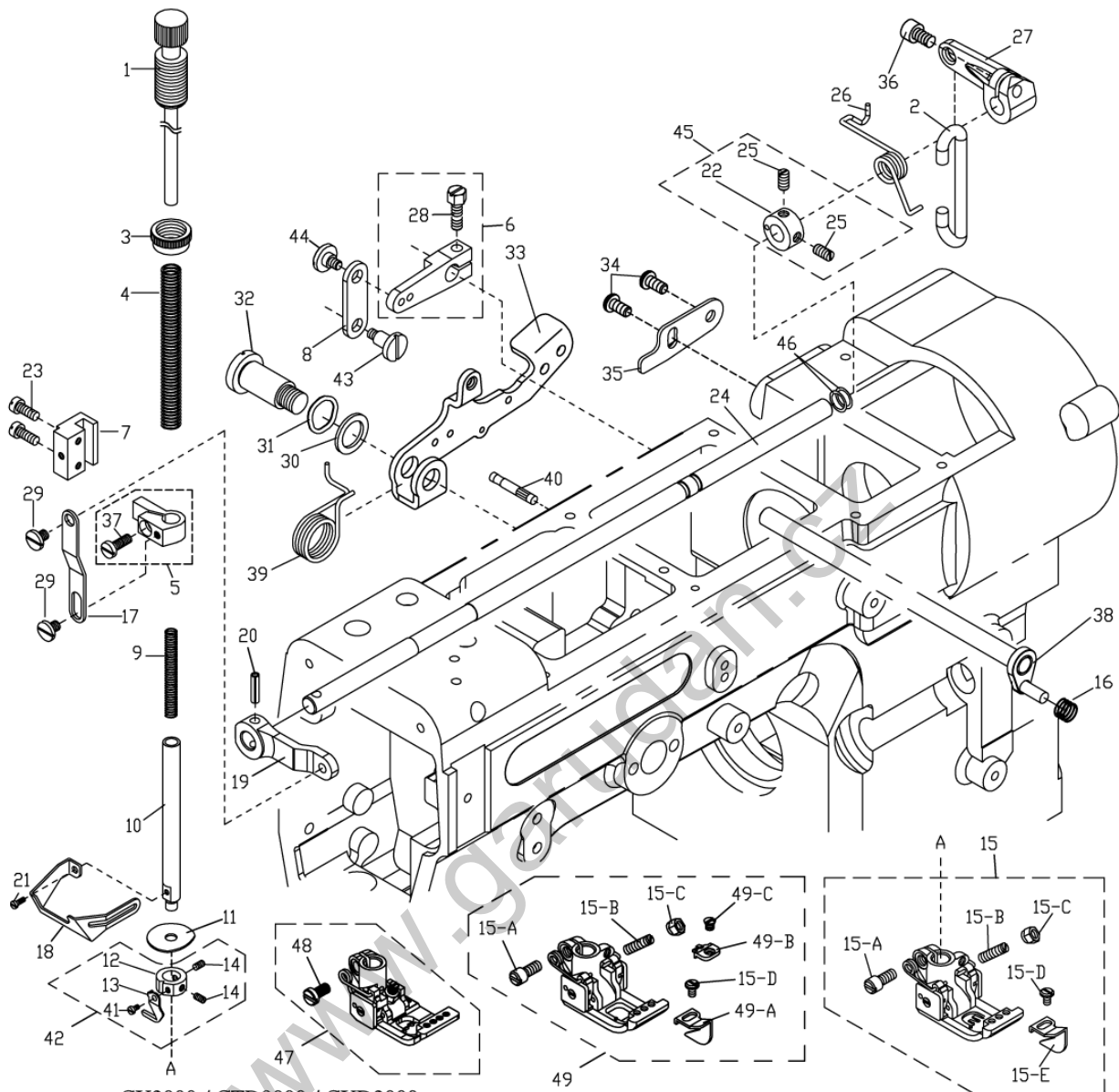
Ref.No.	Description	Number Of Needle /			Distance Of Needles	
		2 Needle/4.0	3 Needle/4.8	3 Needle/5.6	3 Needle/6.4	
47	Presser foot asm	5222PF11400	5222PF11480	5222PF11560	5222PF11640	

(CX2000 / CTD9000 / CXD2000)

Ref.No.	Description	Number Of Needle /			Distance Of Needles	
		2 Needle/4.0	2 Needle/4.8	3 Needle/4.8	3 Needle/5.6	3 Needle/6.4
49	Presser foot asm	5224PF00400	5224PF00480	5224PF00481	5224PF00560	5224PF00640
49-B	Presser foot tongue	5224PF0040A	5224PF0048A	5224PF00481A	5224PF0056A	5224PF0064A

8. PRESSER FOOT COMPONENTS (1/2)			
Ref. No.	Parts No.	Description	QTY
1	2220000801	Spring Regulator	1
2	2240000802	Lifter Connecting Plate	1
3	2220000803	Nut	1
4	2200000804	Spring	1
5	2200000805	Presser Bar Clamp	1
*6	2240000806	Drive Arm	1
7	2200000807	Guide Block	1
*8	2240000808	Link	1
9	2200000809	Spring	1
10	2200000810	Presser Bar	1
11	2200000811	Oil Separator	1
12	2220000812	Stop Collar	1
13	2220000813	Knife	1
14	8MH85240300A	Screw (M3.5-0.6*3)	2
15	-----	Presser Foot (See Left Page)	1
15-A	5220PF0356M	Screw (M3.5-0.6*8)	1
15-B	5221PF0956C	Screw(1/8"-44*11)	1
15-C	5220PF0356D	Nut	1
15-D	8SB24560405A	Screw (3/32"-56*4)	1
15-E	5220PF0056L	Curl Guard	1
*16	4UTB000411	Spring	1
17	2200000817	Link	1
18	2220000818	Safety Plate Holder	1
19	2240000819	Lever	1
20	90SP0416	Spring Pin	1
21	8MB85240607K	Screw (M3.5-0.6*6)	1
22	2200000822	Collar	1
23	8MC95301608E	Screw (M4.5-0.75*16)	2
24	22400008241	Shaft	1
25	8MC95300606F	Screw (M4.5-0.75*5.5)	2
26	2240000826	Spring	1
27	2240000827	Link	1
28	8MK95301407A	Screw (M4.5-0.75*14)	1
29	8MB05320509G	Stud (M5-0.8*5)	2
30	2310001012	Washer	1
31	2310001207	Corrugated Ring	1
32	2310001013	Stud	1
33	22400008331	Lifter Arm	1
*34	8MP06401011A	Screw (M6-1*10)	2

**8. PRESSER FOOT COMPONENTS (2/2)**



CX2000 / CTD9000 / CXD2000

Ref.No.	Description	Number Of Needle /			Distance Of Needles	
		2 Needle/4.0	2 Needle/4.8	3 Needle/4.8	3 Needle/5.6	3 Needle/6.4
15	Presser foot asm	5220PF00404	5220PF00484	5220PF00485	5220PF00564	5220PF00644

CTD9711

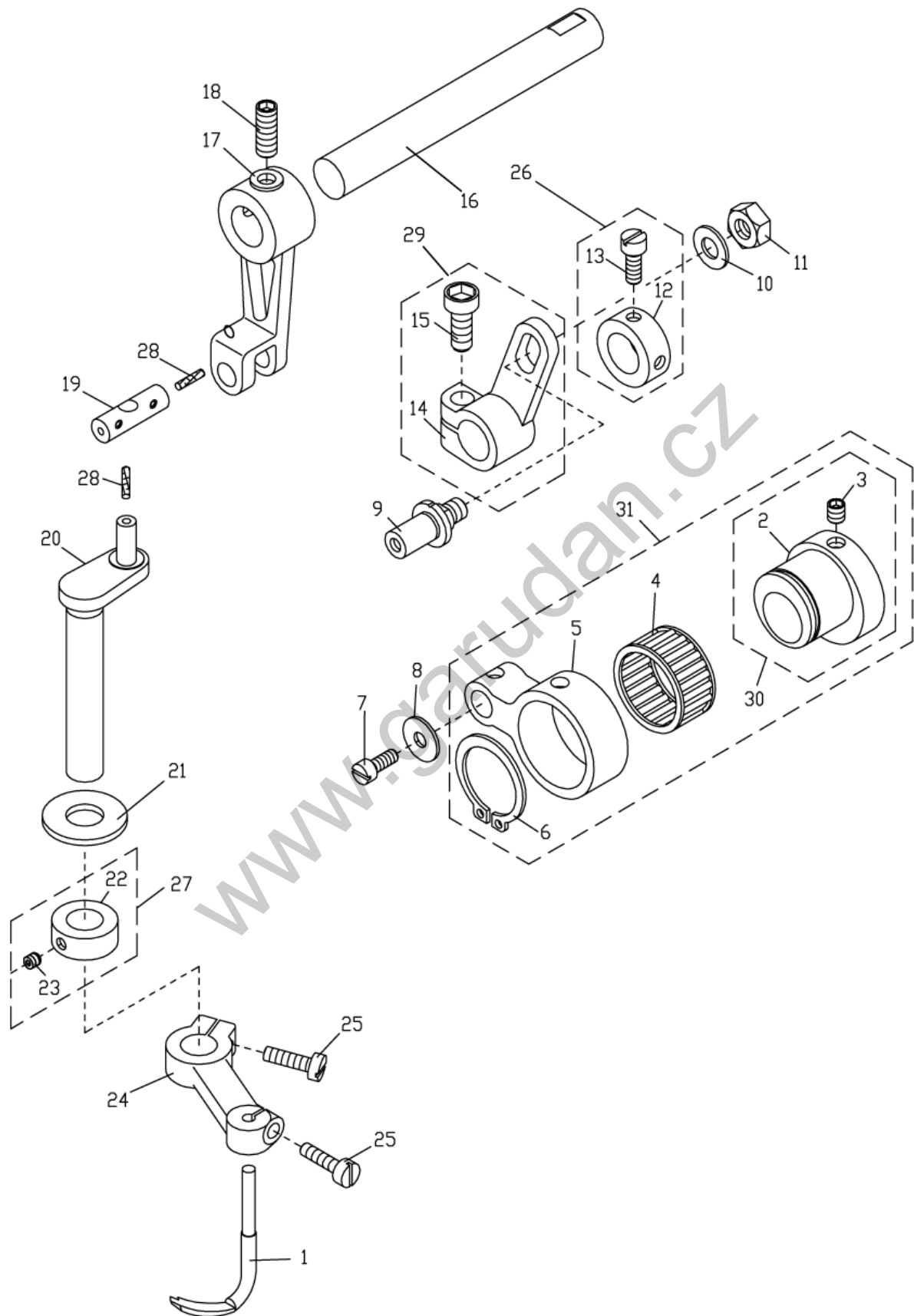
Ref.No.	Description	Number Of Needle /			Distance Of Needles	
		2 Needle/4.0	3 Needle/4.8	3 Needle/5.6	3 Needle/6.4	
47	Presser foot asm	5222PF11400	5222PF11480	5222PF11560	5222PF11640	

(CX2000 / CTD9000 / CXD2000)

Ref.No.	Description	Number Of Needle /			Distance Of Needles	
		2 Needle/4.0	2 Needle/4.8	3 Needle/4.8	3 Needle/5.6	3 Needle/6.4
49	Presser foot asm	5224PF00400	5224PF00480	5224PF00481	5224PF00560	5224PF00640
49-B	Presser foot tongue	5224PF0040A	5224PF0048A	5224PF00481A	5224PF0056A	5224PF0064A

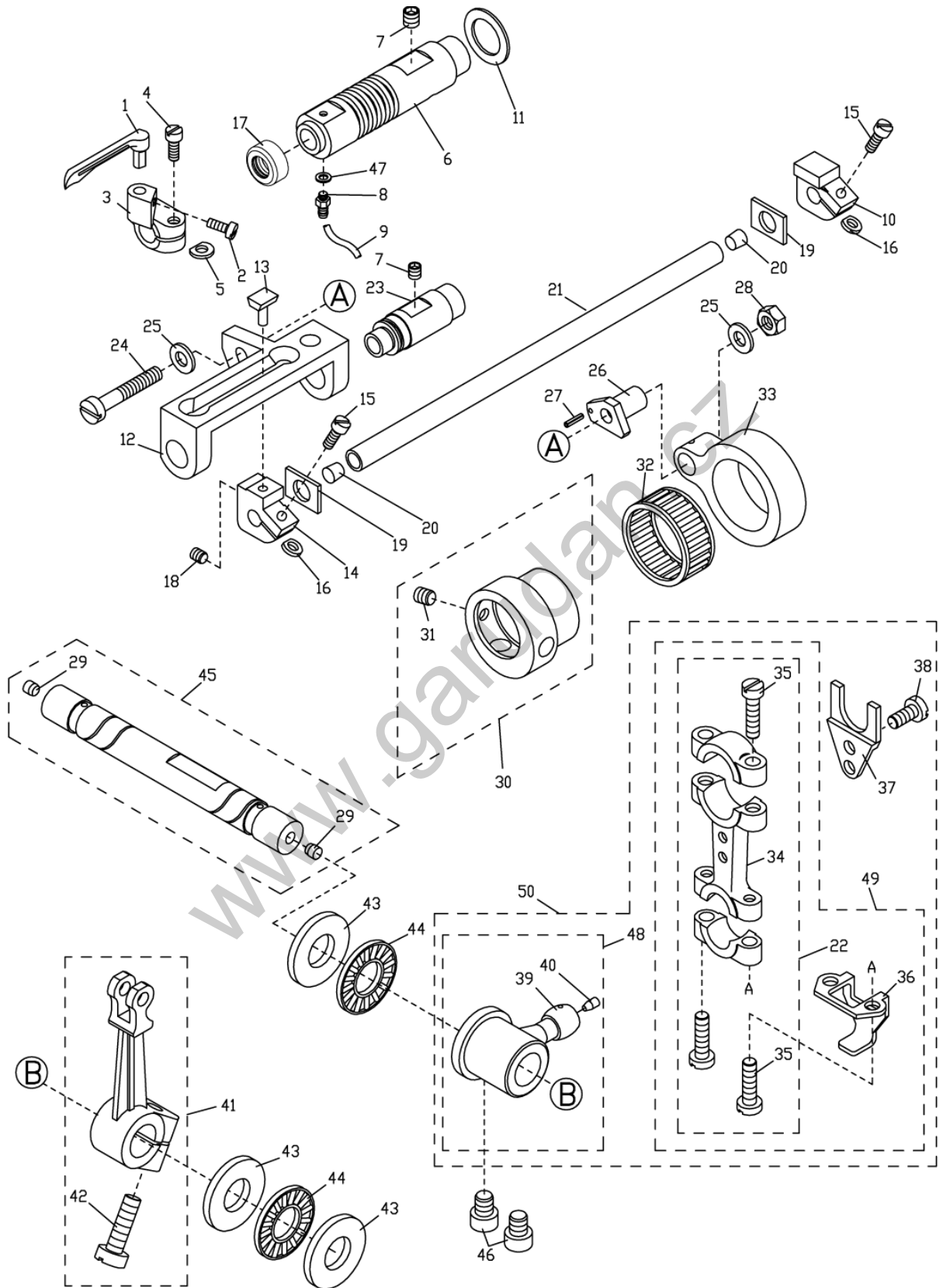
8. PRESSER FOOT COMPONENTS (2/2)			
Ref. No.	Parts No.	Description	QTY
*35	2240000835	Stopper	1
36	8MM06401210A	Screw (M6-1*12)	1
37	8MC95300808E	Screw (M4.5-0.75*8)	1
*38	2240000838	Shift	1
39	2240000839	Spring	1
40	2310001017	Pin	1
41	8MB03200405A	Screw (M3-0.5*4)	1
42	222A0000842	Stop Collar Asm	1
*43	2310000343	Stud	1
*44	2310000344	Stud	1
45	220A0000825	Collar Asm.	1
46	2240000846	O Ring	2
47	-----	Presser Foot(See Left Page)	1
48	8MB85240605A	Screw (M3.5-0.6*6)	1
©49	-----	Presser Foot	1
©49-A	5224PF0056L	Curl Guard	1
©49-B	-----	Press Foot Tongue	1
©49-C	5221PF6056C	Screw	1
	* For basic model only. Not applicable to thread trimmer series.		
	©Custom-made Item		

9. SPREADER MECHANISM



9. SPREADER MECHANISM			
Ref. No.	Parts No.	Description	QTY
1	5220SL00560	Spreader	1
2	2200000902	Eccentric	1
3	8MN05320500E	Screw (M5-0.8*5)	2
4	90NB222613	Needle Bearing	1
5	2200000905	Connecting Rod	1
6	90SCR220	C Ring	1
7	8MB04280807K	Screw (M4-0.7*8)	1
8	2200000908	Washer	1
9	2200000909	Rod Pin	1
10	2200000910	Washer	1
11	8MA06400510A	Nut (M6-1*5)	1
12	2200000912	Collar	1
13	8MC95300606F	Screw (M4.5-0.75*5.5)	2
14	2200000914	Lever	1
15	8MM06401610A	Screw (M6-1*16)	1
16	2200000916	Shaft	1
17	2220000917	Connecting Rod	1
18	8MN06400600A	Screw (M6-1*6)	2
19	2220000919	Rod Pin	1
20	2220000920	Crank Shaft	1
21	2200000921	Washer	1
22	2200000922	Collar	1
23	8MN85240300A	Screw (M3.5-0.6*3)	2
24	22000009241	Spreader Arm	1
25	8MB04281207K	Screw (M4-0.7*12)	2
26	220A0000926	Collar Asm	1
27	220A0000927	Collar Asm	1
28	66801	Oil Wick	2
29	222A0000929	Lever	1
30	222A0000930	Collar Asm	1
31	222A0000931	Collar Asm	1

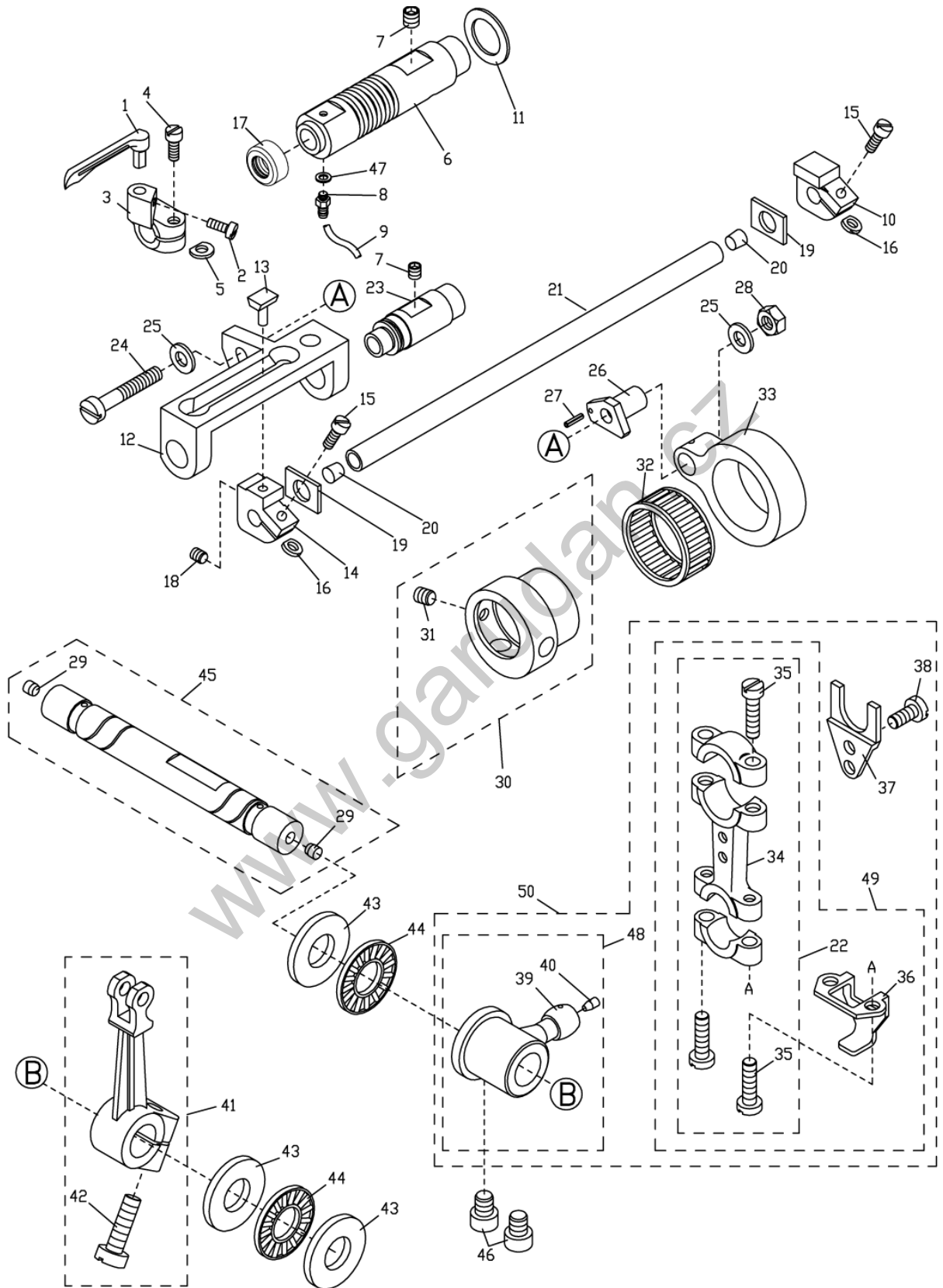
10. LOOPER DRIVING MECHANISM (1/2)





<b>10. LOOPER DRIVING MECHANISM (1/2)</b>			
<b>Ref. No.</b>	<b>Parts No.</b>	<b>Description</b>	<b>QTY</b>
1	5220LL00560	Looper	1
2	8MB85240605A	Screw (M3.5--0.6*6)	1
3	2200001003	Looper Holder	1
4	8MB85241006K	Screw (M3.5-0.6*10)	1
5	2200001005	Washer	1
6	22200010062	Bushing	1
7	8MN06400600A	Screw (M6-1*6)	2
8	2100001505	Oil Tube Joint	1
9	66692	Oil Tube	1
10	2220001010	Slider Holder	1
11	2200001011	Washer	1
12	22200010121	Guide Block	1
13	2200001013	Slide block	1
14	2200001014	Slider Holder	1
15	8MB85241106A	Screw (M3.5-0.6*11)	2
16	2200001016	Washer	2
17	2270001017	Rubber Washer	1
18	8MN04280400A	Screw (M4-0.7*4)	1
19	2200001019	Thrust Plate	2
20	22000002471	Plug	2
21	2220001021	Looper Drive Bar	1
22	220A0001022	Connecting Rod Asm	1
23	22200010231	Bushing	1
24	8MB05323009B	Screw (M5-0.8*30)	1
25	2200001025	Washer	2
26	2200001026	Adjusting Pin	1
27	2200001027	Spring Pin	1
28	8MA05320408A	Nut (M5-0.8*4)	1
29	2200001029	Plug	2
30	2200001030	Eccentric	1
31	8MN05320500E	Screw (M5-0.8*5)	1
32	90NB263013	Needle Bearing	1
33	2200001033	Rod	1
34	2200001034	Connecting Rod	1
35	8MB95301407K	Screw (M4.5-0.75*14)	4
36	2200001036	Oil Splasher	1
37	2200001037	Orient Guide	1
38	8MC95300807E	Screw (M4.5-0.75*8)	2
39	2200001039	Lever	1

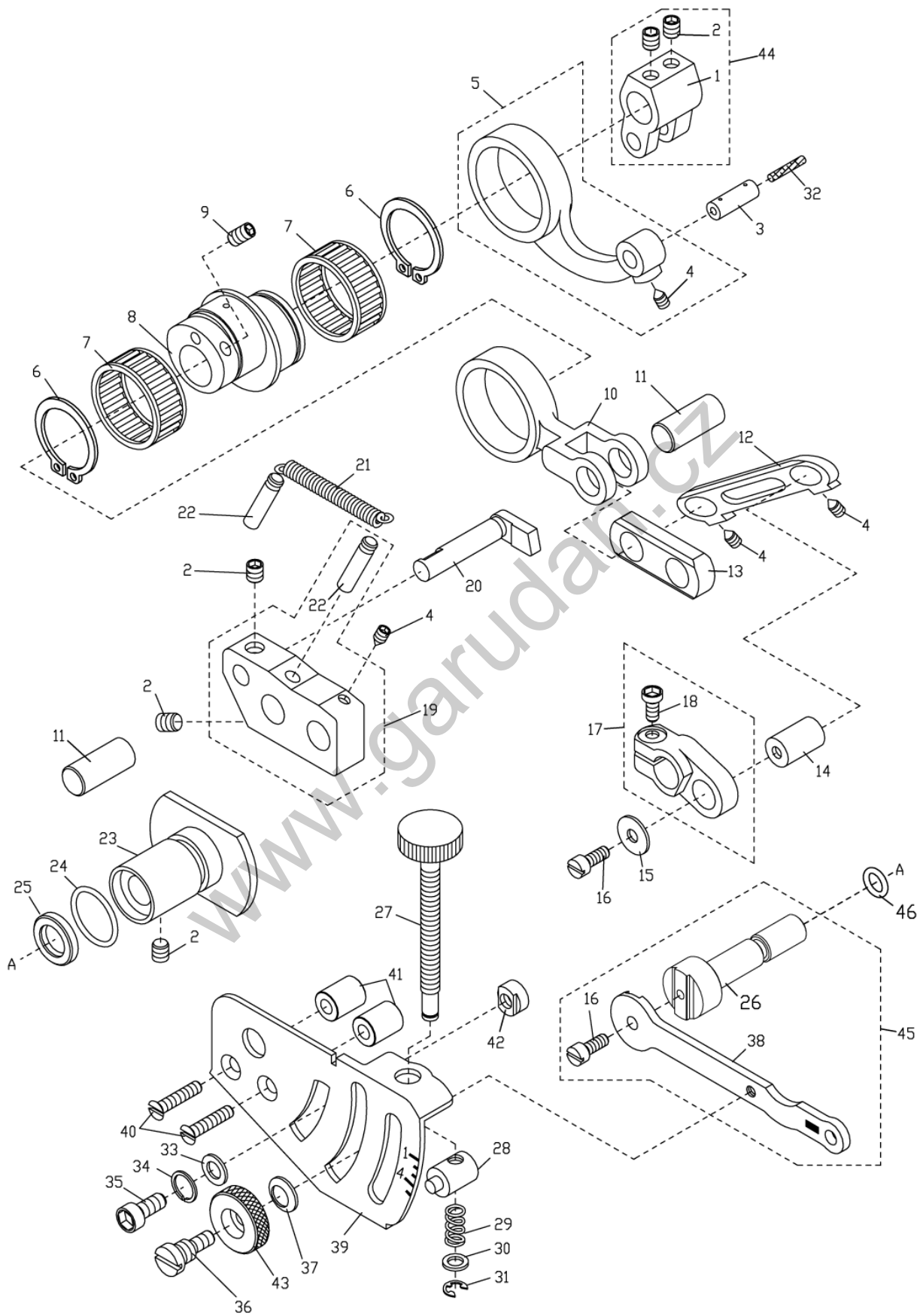
10. LOOPER DRIVING MECHANISM (2/2)



<b>10. LOOPER DRIVING MECHANISM (2/2)</b>			
<b>Ref. No.</b>	<b>Parts No.</b>	<b>Description</b>	<b>QTY</b>
40	2100000328	Plug	1
41	22000010411	Rocker Arm	1
42	8MM06401610A	Screw (M6-1*16)	1
43	2200001043	Thrust Washer	3
44	2200001044	Thrust Bearing	2
45	2200001045	Shaft	1
46	8MM06401210C	Screw (M6-1*12)	2
47	2200001047	Washer	1
48	220A0001048	Lever Asm	1
49	220A0001049	Connecting Rod Asm	1
50	220A0001050	Connecting Rod Asm	1

www.garudan.cz

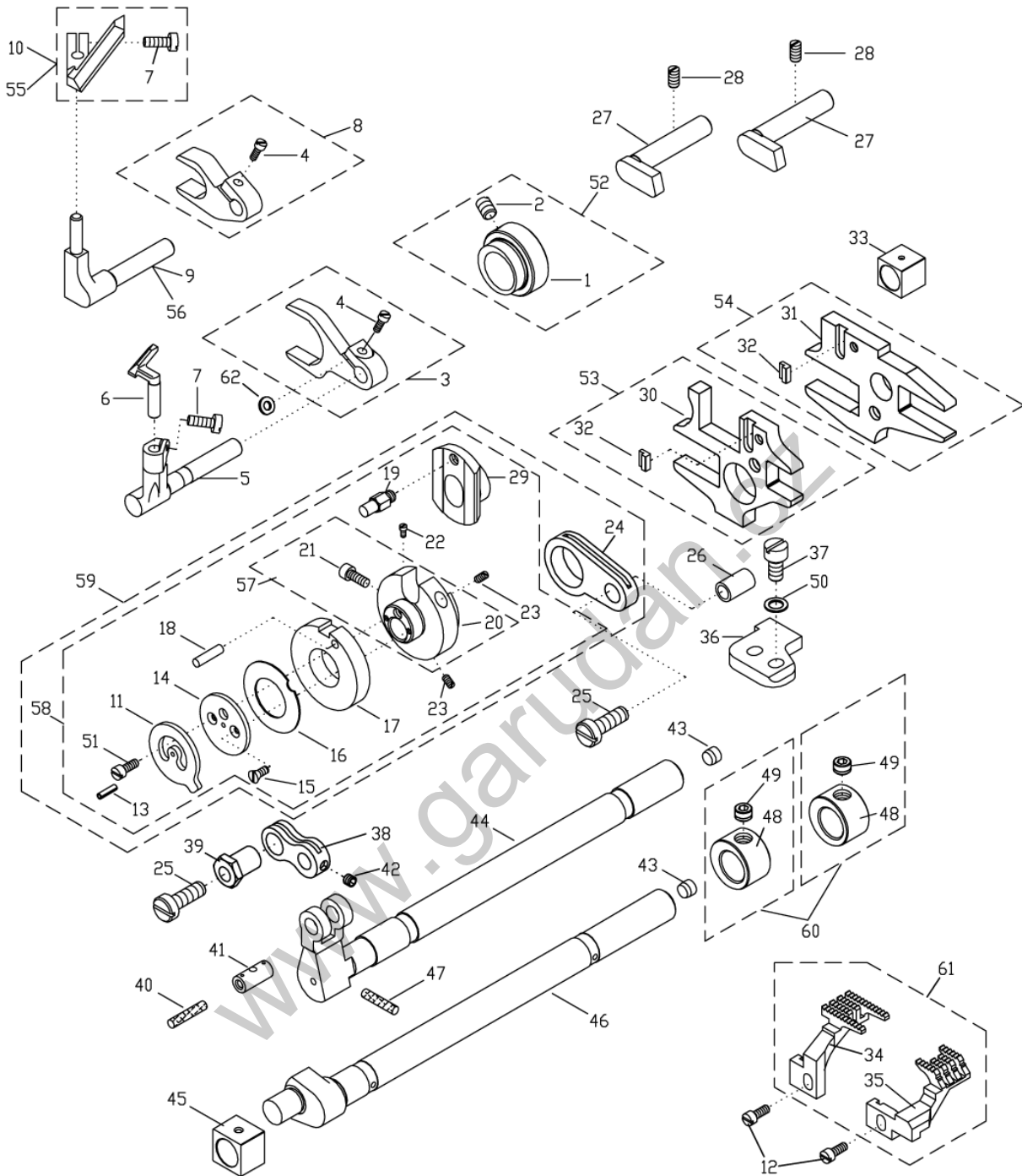
11. FEED CONTROL DRIVING



## 11. FEED CONTROL DRIVING

Ref. No.	Parts No.	Description	QTY
1	2200001101	Lever	1
2	8MN06400600A	Screw (M6-1*6)	5
3	2200001103	Rod Pin	1
4	8MN04280600C	Screw (M4-0.7*6)	4
5	2200001105	Rod	1
6	2200001106	C Ring	2
7	90NB252910	Needle Bearing	2
8	2200001108	Eccentric	1
9	8MN05320500E	Screw (M5-0.8*5)	2
10	2200001110	Rod	1
11	2200001111	Rod Pin	2
12	2200001112	Link	1
13	2200001113	Link	1
14	2200001114	Lever Pin	1
15	2200001115	Washer	1
16	8MB04280807K	Screw (M4-0.7*8)	2
17	2200001117	Lever	1
18	8MM04281207A	Screw (M4-0.7*12)	1
19	2220001119	Bracket	1
20	2200001120	Guide	1
21	2200001121	Spring	1
22	2200001122	Pin	2
23	2200001123	Bushing	1
24	90OR160	O Ring	1
25	2200001125	Oil Seal	1
26	2220001126	Shaft	1
27	2220001127	Adjusting Screw	1
28	2220001128	Differential Feed Block	1
29	2220001129	Spring	1
30	2220001130	Washer	1
31	90ER035		1
32	66800	Oil Wick	1
33	2200001025	Washer	1
34	90SW050	Spring Washer	1
35	8MM05320809A	Screw (M5-0.8*8)	1
36	8MB06401108Q	Stud (M6-1*11)	1
37	2200001137	Disc Washer	1
38	2220001138	Lever	1
39	2220001139	Regulator Plate	1
40	8ME04282208A	Screw (M4-0.7*22)	2
41	2220001141	Spacer	2
42	2200001142	Stopper	1
43	2200001147	Nut	1
44	220A0001149	Lever Asm.	1
45	222A0001145	Lever Set	1
46	90OR070	O Ring	1

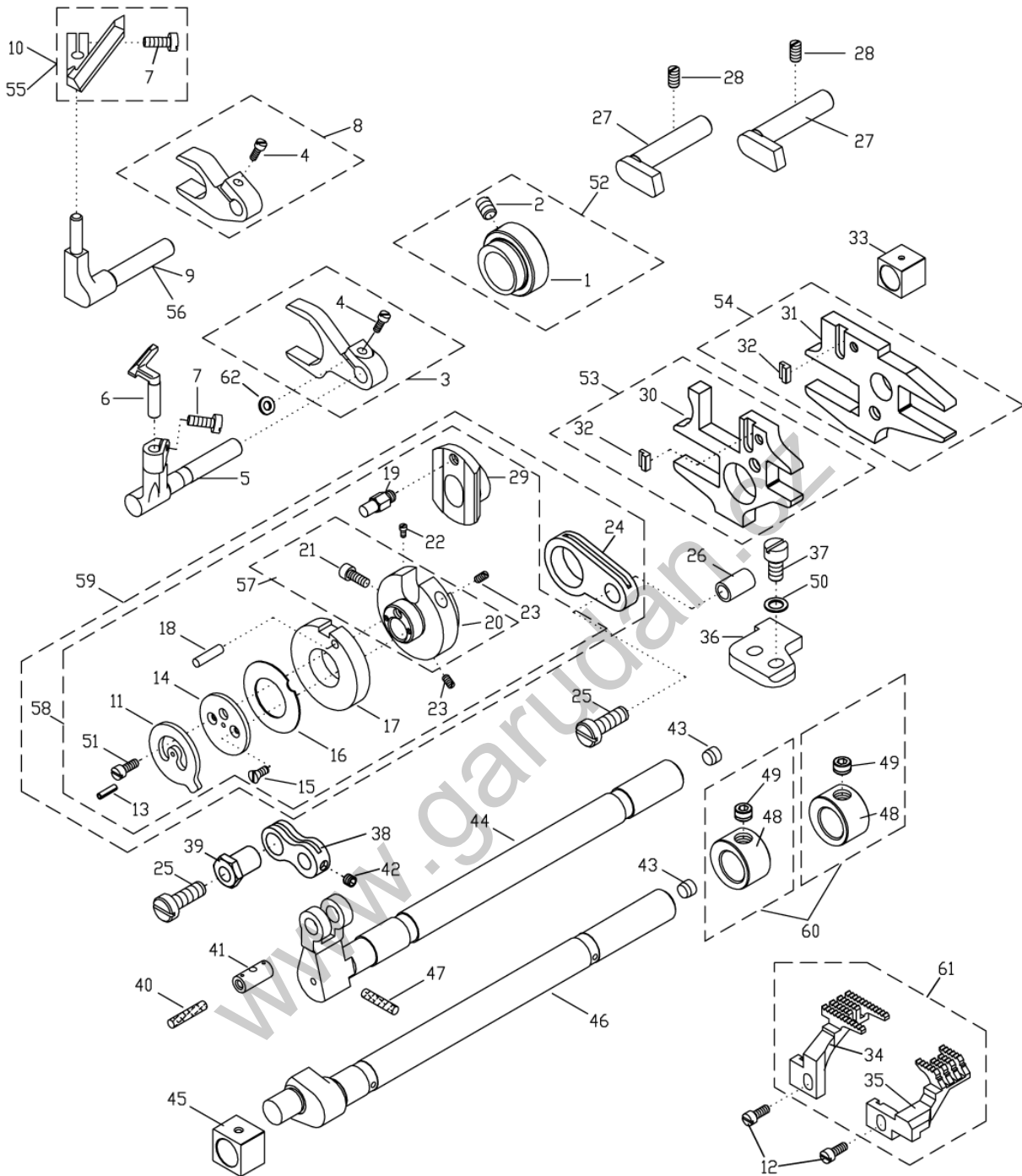
**12. NEEDLE GUIDE AND GEED DOG DRIVING (1/2)**



Ref.No.	Description	Distance Of Needles			
		4.0	4.8	5.6	6.4
34	Main Feed Dog	5220FD00563	5220FD00563	5220FD00563	5220FD00643
35	Diff Feed Dog	5220DF00560	5220DF00560	5220DF00560	5220DF00640
61	Feed Dog Asm.	5220DG0016	5220DG0016	5220DG0016	5220DG0017

<b>12. NEEDLE GUIDE AND GEED DOG DRIVING (1/2)</b>			
<b>Ref. No.</b>	<b>Parts No.</b>	<b>Description</b>	<b>QTY</b>
1	2200001201	Eccentric Cam	1
2	8MN05320500E	Screw (M5-0.8*5)	2
3	2200001203	Lever	1
4	8MB03201006A	Screw (M3-0.5*10)	2
5	2200001205	Needle Guide Holder	1
6	5220NG00563	Needle Guide	1
7	8MB03200606K	Screw (M3-0.5*6)	2
8	2200001208	Lever	1
9	2200001251	Needle Guide Holder	1
10	5220NG00562	Needle Guide	1
11	2200001211	Stopper	1
12	8MB85240806K	Screw (M3.5-0.6*8 )	2
13	2200001027	Spring Pin	1
14	2200001214	Presser	1
15	8ME02160404A	Screw (M2-0.4*4)	2
16	2200001216	Disc Spring	1
17	2200001217	Cam	1
18	90SP0308	Stopper Pin	1
19	2200001219	Drive Pin	1
20	2200001220	Slide Guide	1
21	8MB85240605K	Screw (M3.5-0.6*6)	1
22	8MN03200300A	Screw (M3-0.5*3)	1
23	8MN04280600A	Screw ( M4-0.7*6)	2
24	2200001224	Link	1
25	8MB05321809K	Screw (M5-0.8*17.8)	2
26	2200001226	Pin	1
27	2200001227	Guide	2
28	8MN06400600A	Screw (M6-1*6)	2
29	2200001229	Slide Block	1
30	2200001230	Feed Dog Seat	1
31	22000012311	Feed Dog Seat	1
32	2200001232	Locator Key	2
33	2200001233	Slide Block	1
34	-----	Main Feed Dog(See Left Page)	1
35	-----	Diff.Feed Dog(See Left Page)	1
36	2200001236	Guide Block	1
37	8MB04281007K	Screw (M4-0.7*10)	2
38	2200001238	Link	1
39	2200001239	Pin	1

**12. NEEDLE GUIDE AND GEED DOG DRIVING (2/2)**

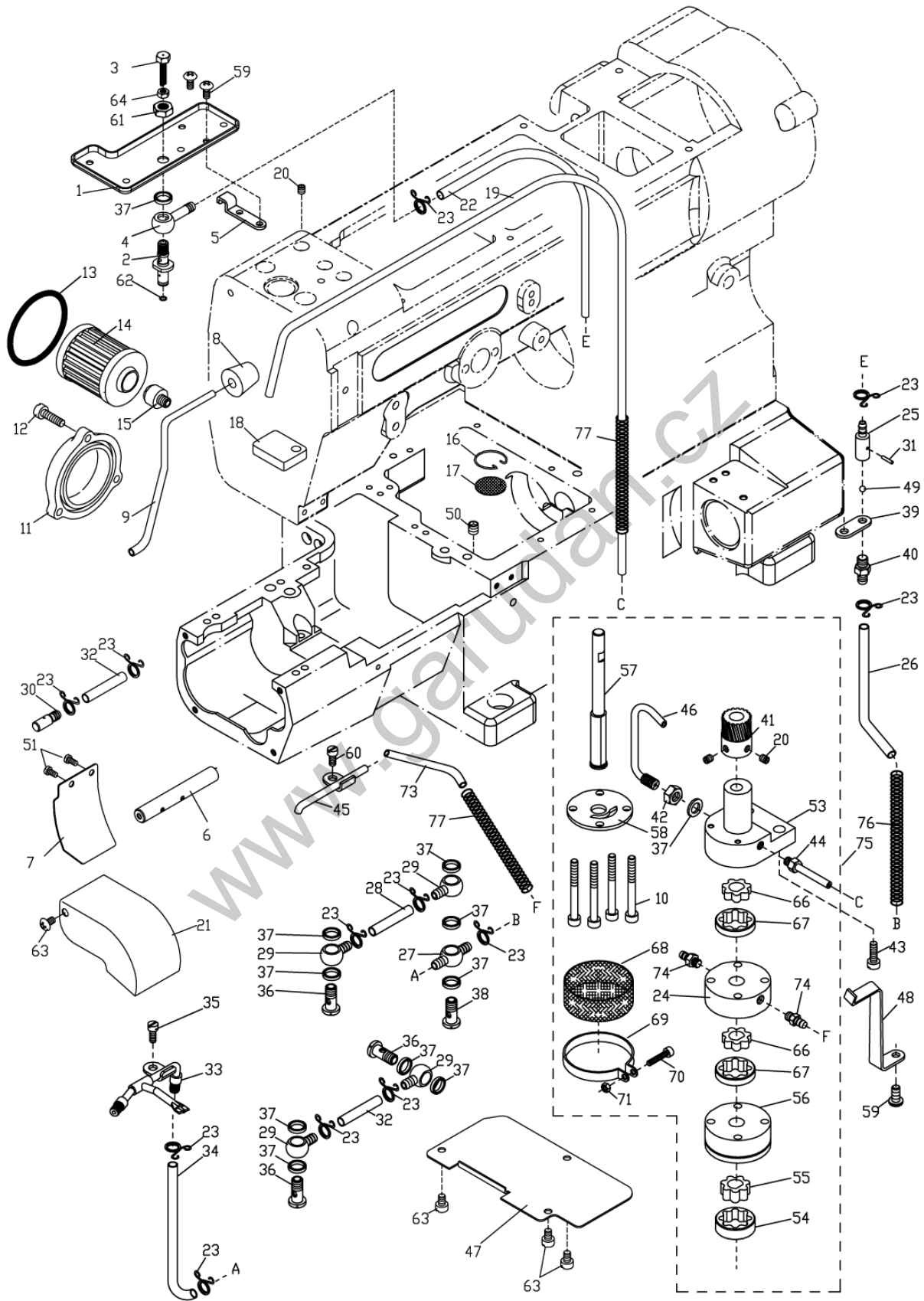


Ref.No.	Description	Distance Of Needles			
		4.0	4.8	5.6	6.4
34	Main Feed Dog	5220FD00563	5220FD00563	5220FD00563	5220FD00643
35	Diff Feed Dog	5220DF00560	5220DF00560	5220DF00560	5220DF00640
61	Feed Dog Asm.	5220DG0016	5220DG0016	5220DG0016	5220DG0017



12. NEEDLE GUIDE AND GEED DOG DRIVING (2/2)			
Ref. No.	Parts No.	Description	QTY
40	66800	Oil Wick	1
41	2200001241	Pin	1
42	8MN03200400C	Screw (M3-0.5*4)	1
43	2200001243	Plug	2
44	2200001244	Shaft	1
45	2200001245	Slide Block	1
46	2200001246	Crank Shaft	1
47	66802	Oil Wick	1
48	2200001248	Collar	2
49	8MN06400400A	Screw (M6-1*5)	2
50	2100000223	Washer	2
51	8MB85240807K	Screw (M3.5-0.6*8)	1
52	222A0001252	Eccentric Cam Asm	1
53	222A0001253	Feed Dog Seat Asm	1
54	222A0001254	Feed Dog Seat Asm	1
*55	5220NG00561	Needle Guide	1
*56	2200001209	Needle Guide Holder	1
57	220A0001256	Slide Guide Asm	1
58	220A0001254	Slide Guide Asm	1
59	220A0001255	Slide Guide Asm	1
60	220A0001252	Collar Asm	2
61	-----	Feed Dog Asm. (See Left Page)	1
62	90PW030708	Washes	1
	*Custom-Item		

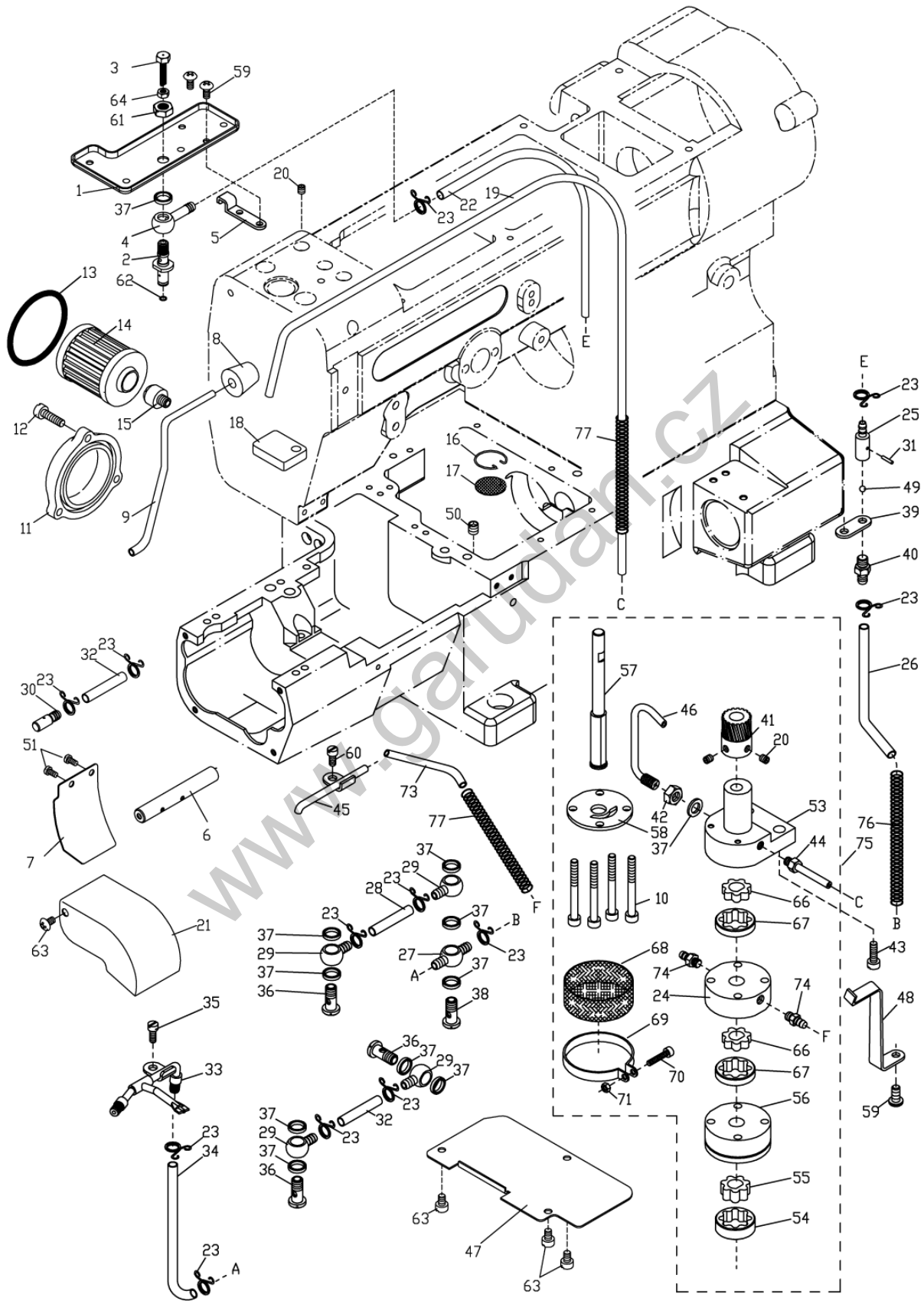
13. LUBRICATION SYSTEM (1/2)



## 13. LUBRICATION SYSTEM (1/2)

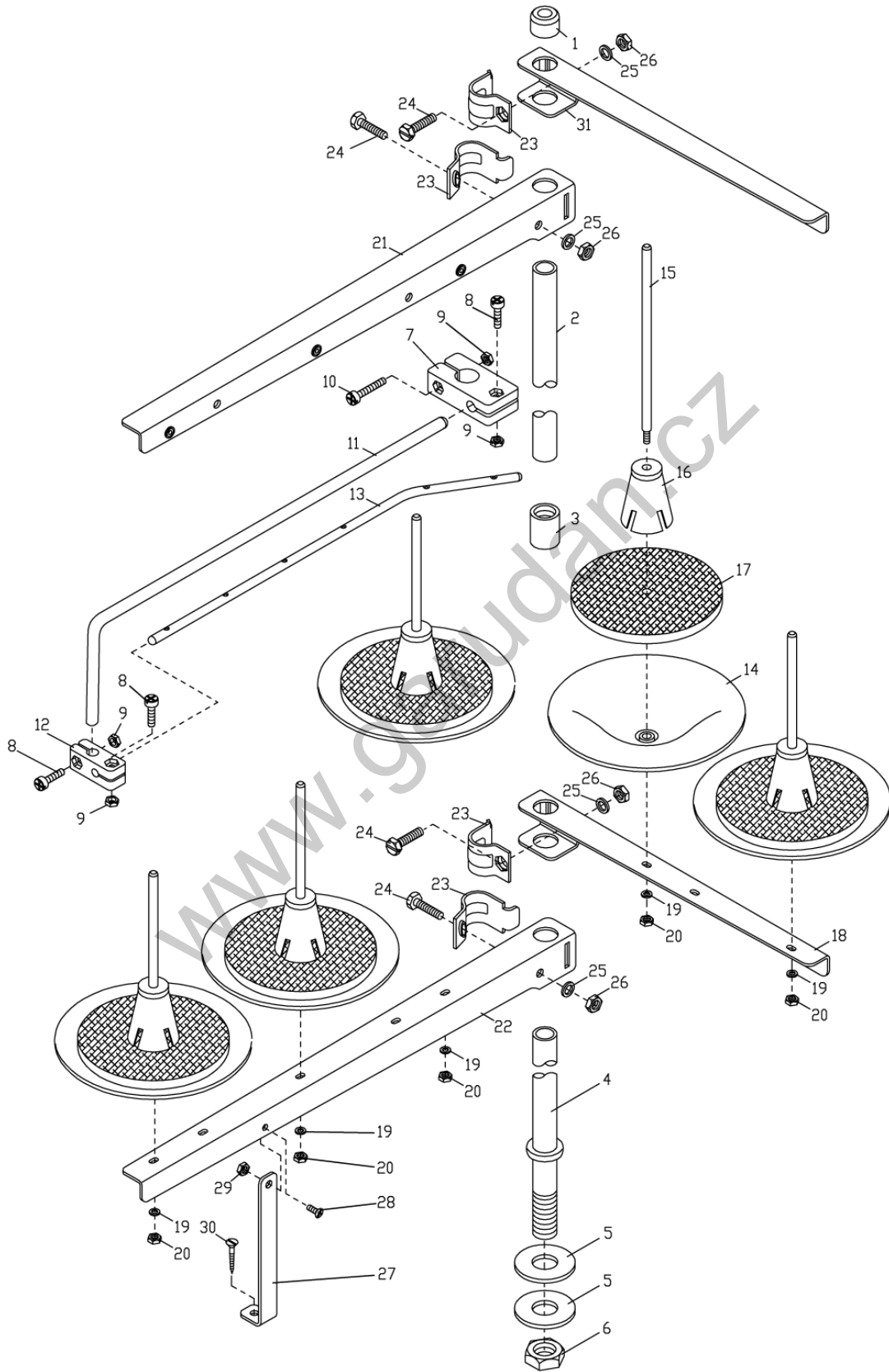
Ref. No.	Parts No.	Description	QTY
1	2240001301	Oil Receiver	1
2	2240001302	Oil Tube	1
3	2240001303	Nozzle	1
4	2240001304	Oil Tube Joint	1
5	22400013051	Washer	1
6	2210001352	Shaft	1
7	2210001353	Cover	1
8	2210001311	Plug	1
9	2210001310	Oil Tube	1
10	8MM04284007B	Screw (M4-0.7*40)	4
11	2200001311	Oil Filter Cover	1
12	8MB04281207K	Screw (M4-0.7*12)	3
13	2200001313	O Ring	1
14	2100001521	Oil Filter	1
15	2200001315	Oil Filter Joint	1
16	2200001316	Filter Screen Clamp	1
17	2200001317	Filter Screen	1
18	2200001318	Felt	1
19	66692	Oil Tube	1
20	8MN04280400A	Screw(M4-0.7*4)	3
21	2210001354	Cover	1
22	66790	Oil Tube	1
23	2100001536	Latch Spring	12
24	2220001324	Rotor Case	1
25	2220001325	One Way Valve	1
26	66790	Oil Tube	1
27	2200001327	Oil Tube Joint	1
28	66790	Oil Tube	1
29	2100001535	Oil Tube Joint	4
30	2200001330	Nozzle	1
31	2220001331	Pin	1
32	66790	Oil Tube	2
33	22000013331	Oil Tube	1
34	66790	Oil Tube	1
35	8MB04280807K	Screw (M4-0.7*8)	1
36	2100001533	Stud	3
37	2100001534	Washer	11
38	2200001338	Stud	1
39	2220001339	Bracket	1
40	2220001340	Oil Tube Joint	1

13. LUBRICATION SYSTEM (2/2)



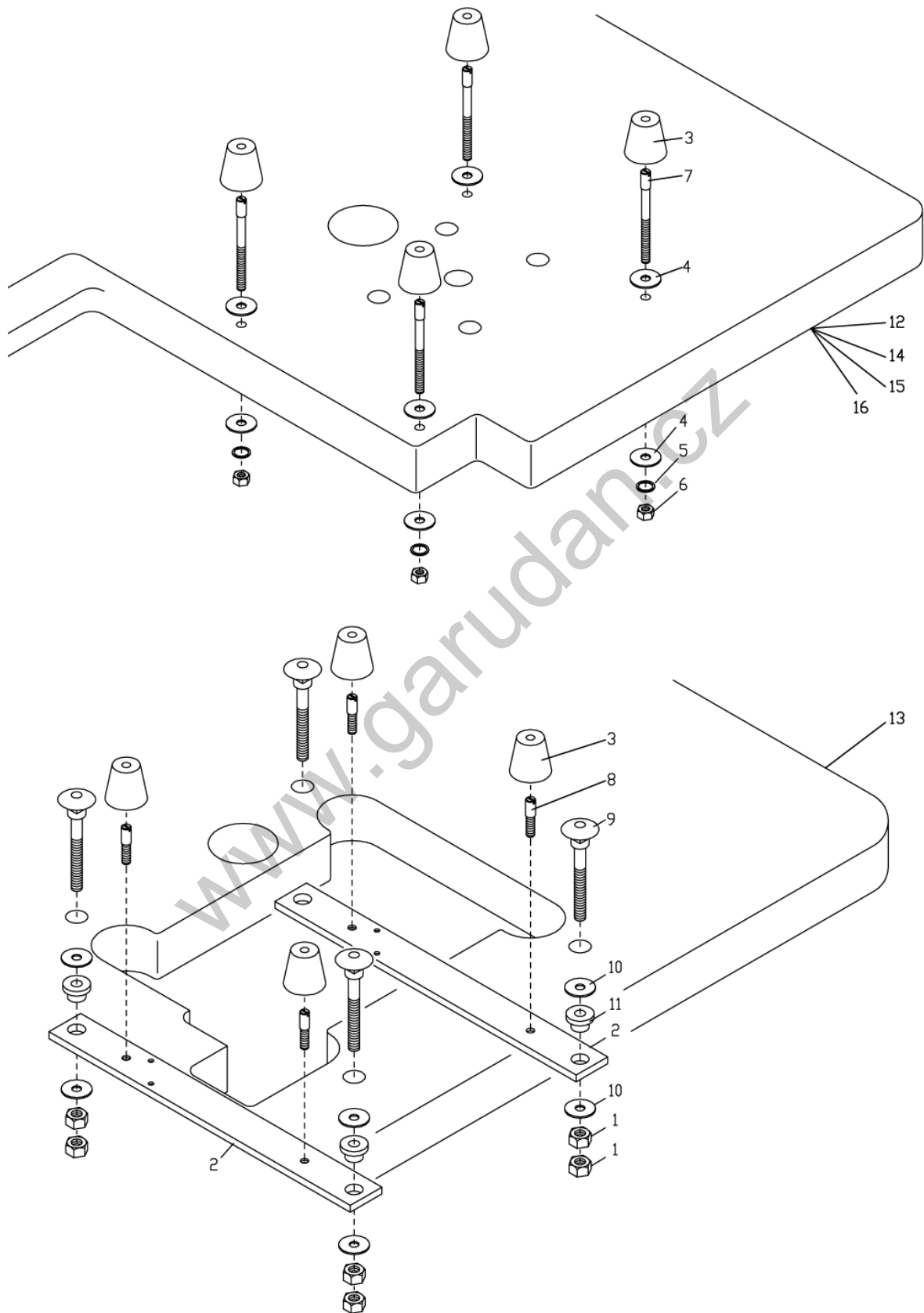
<b>13. LUBRICATION SYSTEM (2/2)</b>			
<b>Ref. No.</b>	<b>Parts No.</b>	<b>Description</b>	<b>QTY</b>
41	2200001341	Worm Gear	1
42	8MA06400510A	Nut (M6-1*5)	1
43	8MM06402010A	Screw (M6-1*20)	2
44	2200001344	Oil Tube	1
45	2220001345	Oil Tube----	1
46	22200013461	Nozzle	1
47	2220001347	Separate	1
48	2220001348	Oil Tube Holder	1
49	2220001349	Steel ball	1
50	8MN06400500A	Screw (M6-1*5)	1
51	8MB03200506K	Screw (M3-0.5*5)	2
53	22200013531	Pump Body	1
54	2200001354	Outside Rotor	1
55	2200001355	Inside Rotor	1
56	2200001356	Rotor Case	1
57	22200013571	Shaft	1
58	2200001358	Cover	1
59	8MC04280807D	Screw (M4-0.7*8)	3
60	8MB04280608A	Screw (M4-0.7*6)	1
61	8MA06400510A	Nut (M6-1*5)	1
62	90OR030	Oil Rin	1
63	8MC04280507D	Screw (M4-0.7*5)	4
64	8MA85240306B	Nut (M3.5-0.6*2.8) -	1
66	2220001366	Inside Rotor	2
67	2220001367	Outside Rotor	2
68	2220001368	Oil Mesh	1
69	2220001369	Latch Spring	1
70	8MB03201006A	Screw (M3-0.5*10)	1
71	8MA03200306A	Nut(M3-0.5*3)	1
72	2220001372	Felt	1
73	66792	Oil Tube	1
74	2220001374	Nozzle	2
75	227A0001375	Pump Asm	1
76	2270001377	Spring	1
77	2270001378	Spring	2

14. THREAD STAND



14. THREAD STAND			
Ref. No.	Parts No.	Description	QTY
1	667051	Rod Cup	1
2	667052	Upper Thread Stand Rod	1
3	667053	Joint	1
4	667054	Lower Thread Stand Rod	1
5	667055	Washer	2
6	667056	Nut	1
7	667057	Bracket	1
8	667058	Screw	3
9	667059	Nut	4
10	6670510	Screw	1
11	6670511	Arm	1
12	6670512	Bracket	1
13	6670513	Thread Guide	1
14	6670514	Spool Set for SH6005	5
15	6670515	Spool Pin	5
16	6670516	Spool Retaining Fig	5
17	6670517	Seat	5
18	667061	Spool Set Bracket	1
19	6670519	Spring Washer	5
20	6670520	Nut	5
21	6670521	Thread Guide	1
22	6670522	Spool Set Bracket	1
23	6670523	Clamp	4
24	6670524	Screw	4
25	6670525	Spring Washer	4
26	6670526	Nut	4
27	6670527	Support Rod	1
28	6670528	Screw	1
29	6670529	Nut	1
30	6670530	Wood Screw	1
31	6670531	Thread Guide	1

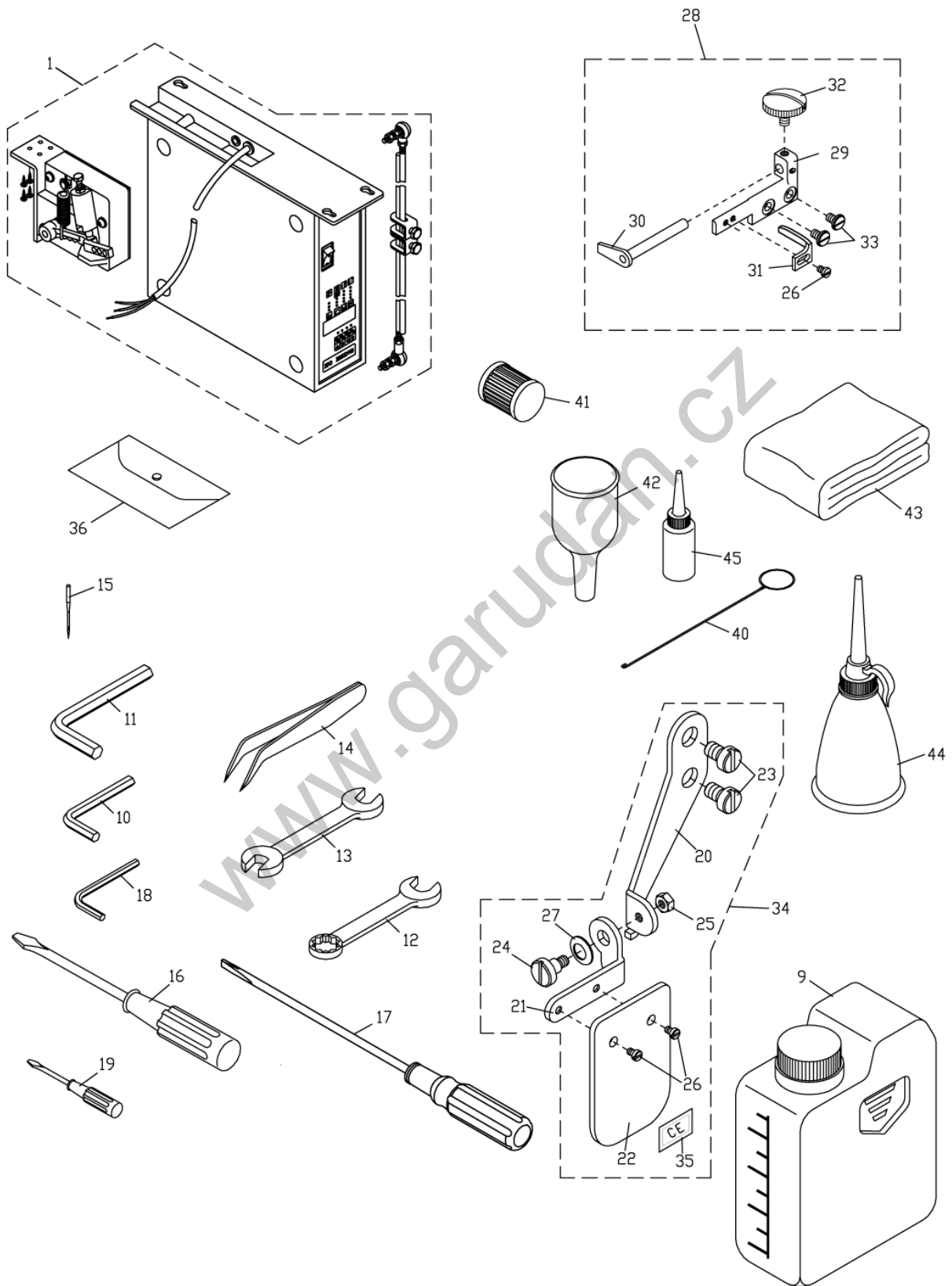
15. SUPPORTING BOARD





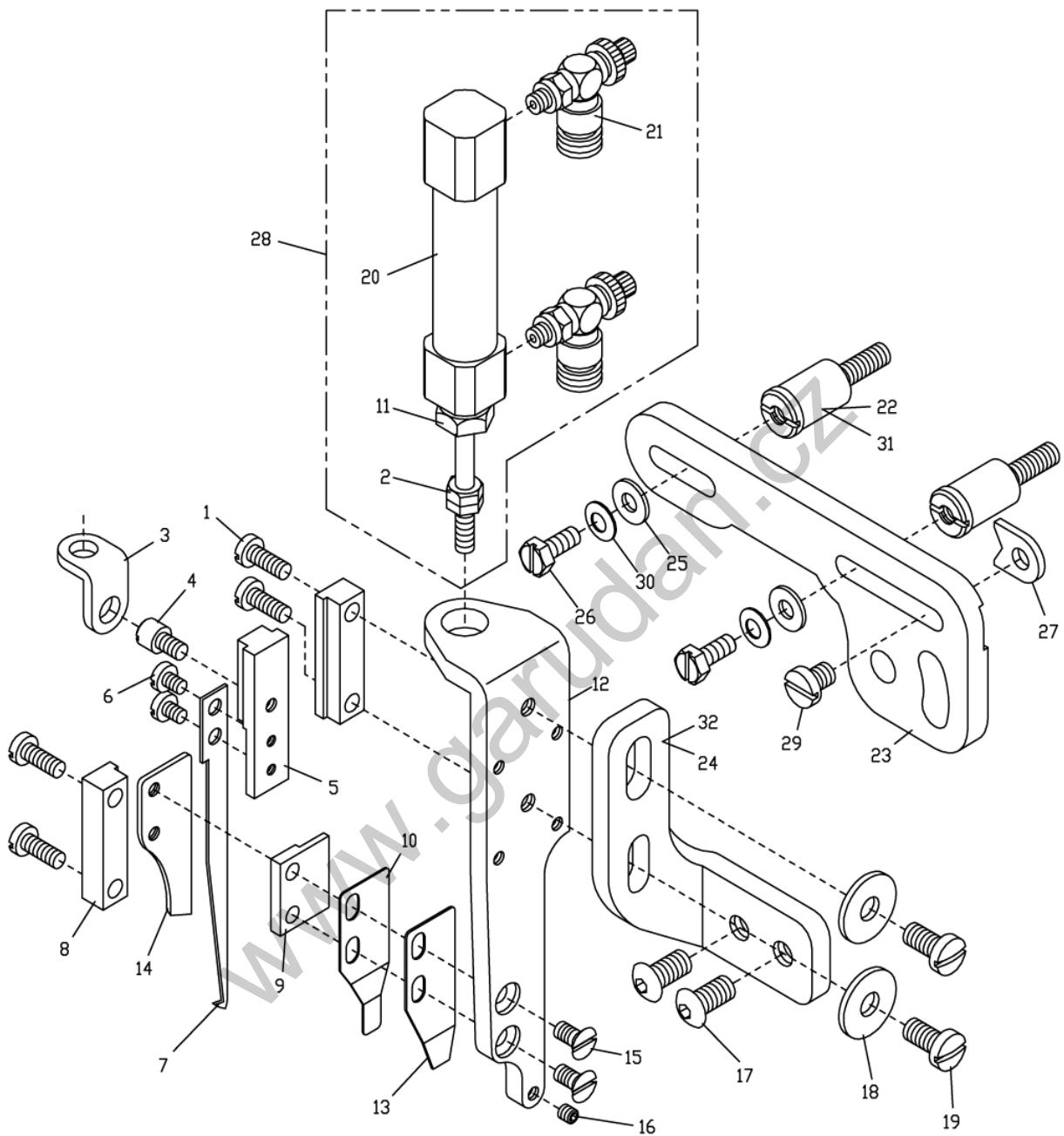
15. SUPPORTING BOARD			
Ref. No.	Parts No.	Description	QTY
1	8SA79180613A	Nut (5/16"-18*6)	8
2	2200001512	Supporting Board	2
3	66943	Rubber Cushion	4
4	2200001504	Washer	8
5	90SW070	Spring Wahsher	4
6	8MA06400612A	Nut (M6-1*6)	4
7	8MB06406507B	Bolt ( M6-1*65)	4
8	8MB06401607M	Stud (M6-1*16)	4
9	8SC79187827B	Bolt	4
10	2200001510	Washer	8
11	2200001511	Rubber Washer	4
12	66811-9	Open-cut Table Top Type	
13	66811-10	CTD9000 / CXD2311 Semi-submerged Type	-
14	66811-13	CTD9000 / CTD9711 Standard Table Top Type	-
15	66811-15	CTD9042Open-cut Table Top Type	-
16	66811-16	CTD9811 / CXD2311 Standard Table Top Type	-

16. ACCESSORIES



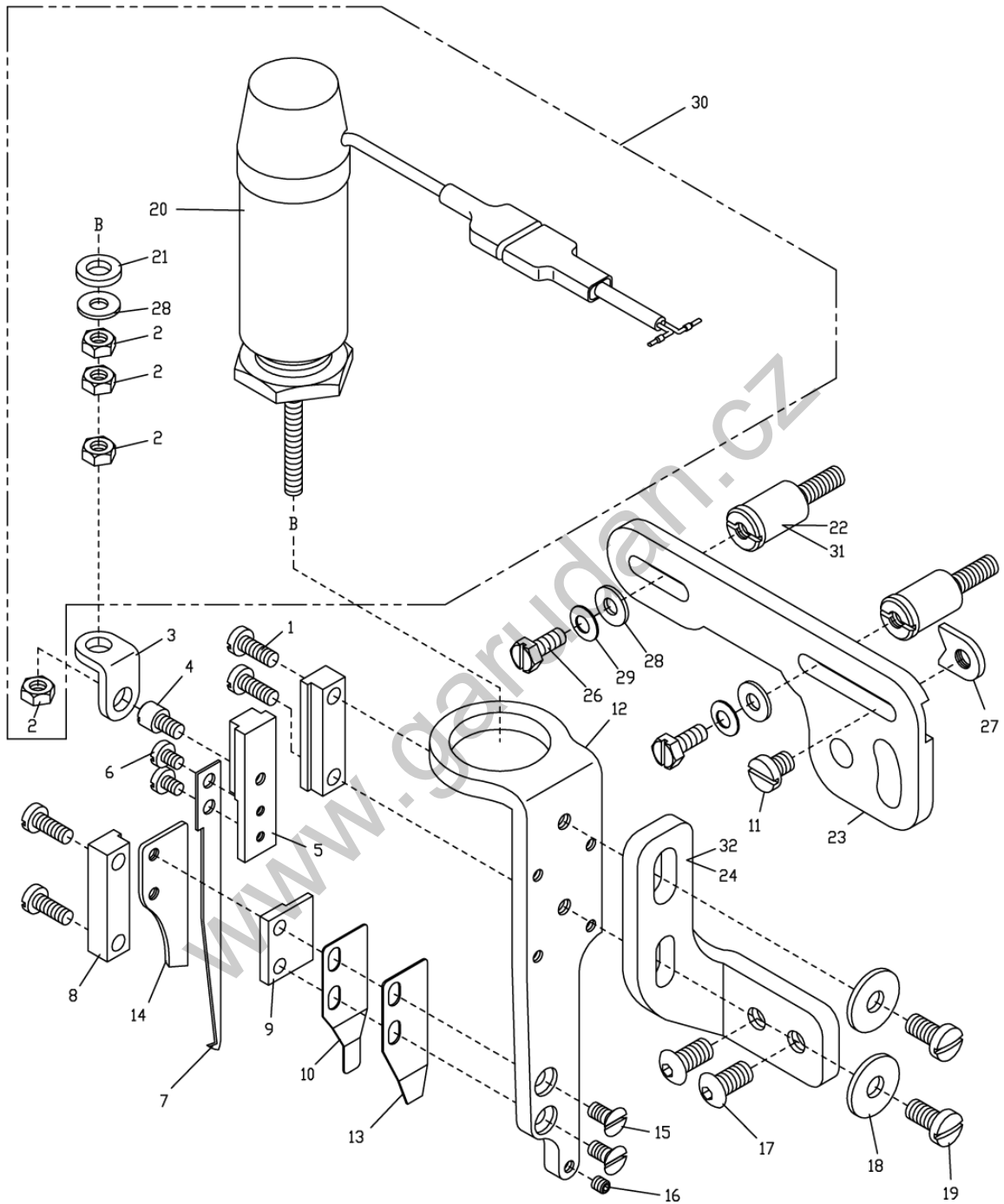
16. ACCESSORIES			
Ref. No.	Parts No.	Description	QTY
*1	-----	Control Box Asm.	1
9	66715	Oil Container	1
10	66636	Spanner 3MM	1
11	66637	Spanner 4MM	1
12	66612	Wrench 10MM	1
13	66613	Wrench 7/8MM	1
14	66690	Tweezer	1
15	66725-11-5	Retainer Needle	5
16	66665	Screw Driver (Large)	1
17	66671	Wooden Handle Flat Screw Driver	1
18	66639	Spanner 1.5MM	1
19	66667	Screw Driver (Small)	1
20	2200001620	Safety Plate Support	1
21	2200001621	Safety Plate Holder	1
22	2200001622	Safety Plate	1
23	8MC06401008E	Screw (M6-1*9.5)	2
24	8SB36400810E	Screw (9/64"-40*8)	1
25	8SA36400306A	Nut (9/64"-40*3)	1
26	8MB03200405A	Screw (M3-0.5*4)	3
27	2200000228	Washer	1
28	/EG005	Fabric Guide Asm.	1
29	4EG0050101	Plate	1
30	4EG0050102	Fabric Guide	1
31	4EG00501031	Fabric Guide	1
32	4EG0050104	Stud	1
33	8MB04280608A	Screw (M4-0.7*6)	2
34	220A0001632	Safety Plate Asm.	1
35	66451	Paster	1
36	66831	Bag	1
40	66840	Threading Bar	1
41	2100001521	Oil Filter	1
42	66720	Oil Funnel	1
43	66846	Mechine Cover	1
44	66721	Oiler	1
45	66722	Silicon Oil	1
	** Must be sold in complete set		

I. SPREAER THREAD TRIMMER COMPONENTS (1/2)



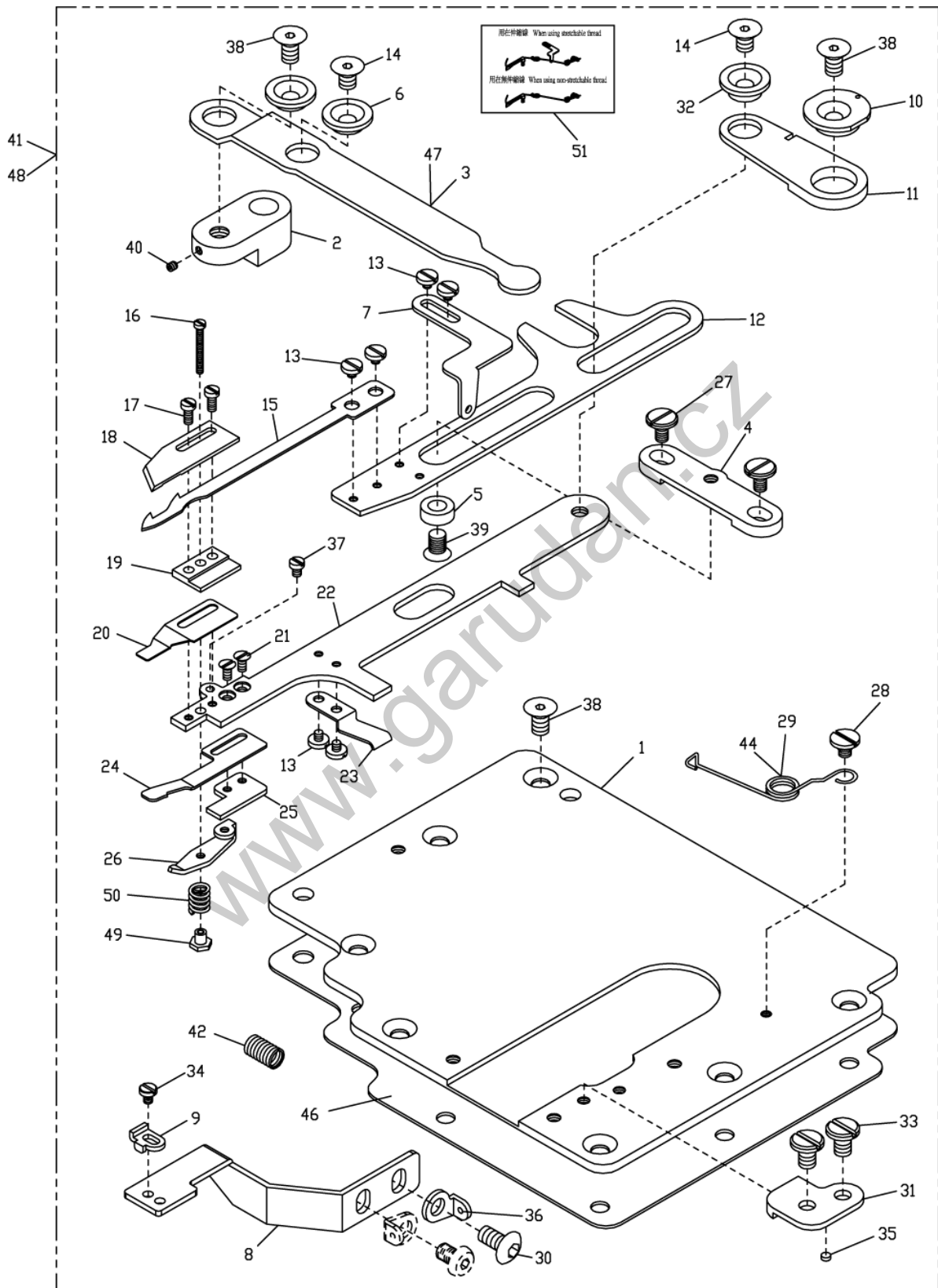
<b>I. SPREAER THREAD TRIMMER COMPONENTS</b>			
<b>Ref. No.</b>	<b>Parts No.</b>	<b>Description</b>	<b>QTY</b>
1	8MB03200806K	Screw (M3-0.5*8)	4
2	8MA04280307A	Nut (M4-0.7*3)	2
3	4STB000103	Joint	1
4	8MB03200505A	Stud (M3-0.5*5)	1
5	4STB000105	Upper Movable Knife Base	1
6	8MB75180205A	Screw (M2.5-0.45*3)	2
7	4STB000107	Upper Movable Knife	1
8	4STB000108	Slide Block	2
9	4STB000109	Knife Guide	1
10	4STB000110	Thread Clamp Spring	1
11	8MA08400311A	Nut	1
12	4STB000112	Cylinder Holder	1
13	4STB000113	Knife Pressure Spring	1
14	4STB000114	Fixed Knife	1
15	8ME03200906A	Screw (M3-0.5*7)	2
16	8MN03200500A	Screw (M3-0.5*5)	1
17	8MP05320810A	Screw ( M5-0.8*8)	2
18	2200000908	Washer	2
19	8MC04280807A	Screw (M4-0.7*8)	2
20	4STB000120	Cylinder	1
21	4STB000121	Speed Controller	2
22	4STB020122	Stud	-
23	4STB020123	Knife Holder Bracket	1
24	4STB000124	Knife Holder Bracket	-
25	2100000223	Spring Washer	2
26	8MK04281007A	Screw (M4-0.7*10)	2
27	4STB020127	Knock Block	1
28	4STB00A0127	Cylinder Asm.	1
29	8MB04280508A	Screw (M4-0.7*5.5)	1
30	90DW040	Disk Washer	2
31	4STB030122	Stud	-
32	4STD000124	Knife Holder Bracket	-

II. SPREAER THREAD TRIMMER COMPONENTS



<b>II. SPREAER THREAD TRIMMER COMPONENTS</b>			
<b>Ref. No.</b>	<b>Parts No.</b>	<b>Description</b>	<b>QTY</b>
1	8MB03200806K	Screw (M3-0.5*8)	4
2	8MA04280207A	Nut (M4-0.7*2.5)	4
3	4STB000103	Joint	1
4	8MB03200505A	Stud (M3-0.5*5)	1
5	4STB000105	Upper Movable Knife Base	1
6	8MB75180205A	Screw (M2.5-0.45*2)	2
7	4STB000107	Upper Movable Knife	1
8	4STB000108	Slide Block	2
9	4STB000109	Knife Guide	1
10	4STB000110	Thread Clamp Spring	1
11	8MB04280508A	Screw (M4-0.7*5.5)	1
12	4STC000112	Solenoid Bracket	1
13	4STB000113	Knife Pressure Spring	1
14	4STB000114	Fixed Knife	1
15	8ME03200906A	Screw (M3-0.5*7)	2
16	8MN03200500A	Screw (M3-0.5*5)	1
17	8MP05320810A	Screw (M5-0.8*8)	2
18	2200000908	Washer	2
19	8MC04280807A	Screw (M4-0.7*8)	2
20	4STC0201201	Solenoid	1
21	4STC000121	Rubber Cushion	1
22	4STB020122	Stud	-
23	4STB020123	Knife Holder Bracket	1
24	4STB000124	Knife Holder Bracket	-
26	8MK04281007A	Screw (M4-0.7*10)	2
27	4STB020127	Knock Block	1
28	2100000223	Spring Washer	3
29	90DW040	Disk Washer	2
30	4STC02A0130	Solenoid Asm.	1
31	4STB030122	Stud	-
32	4STD000124	Knife Holder Bracket	-

III. UNDER TRIMMER COMPONENTS (1/2)

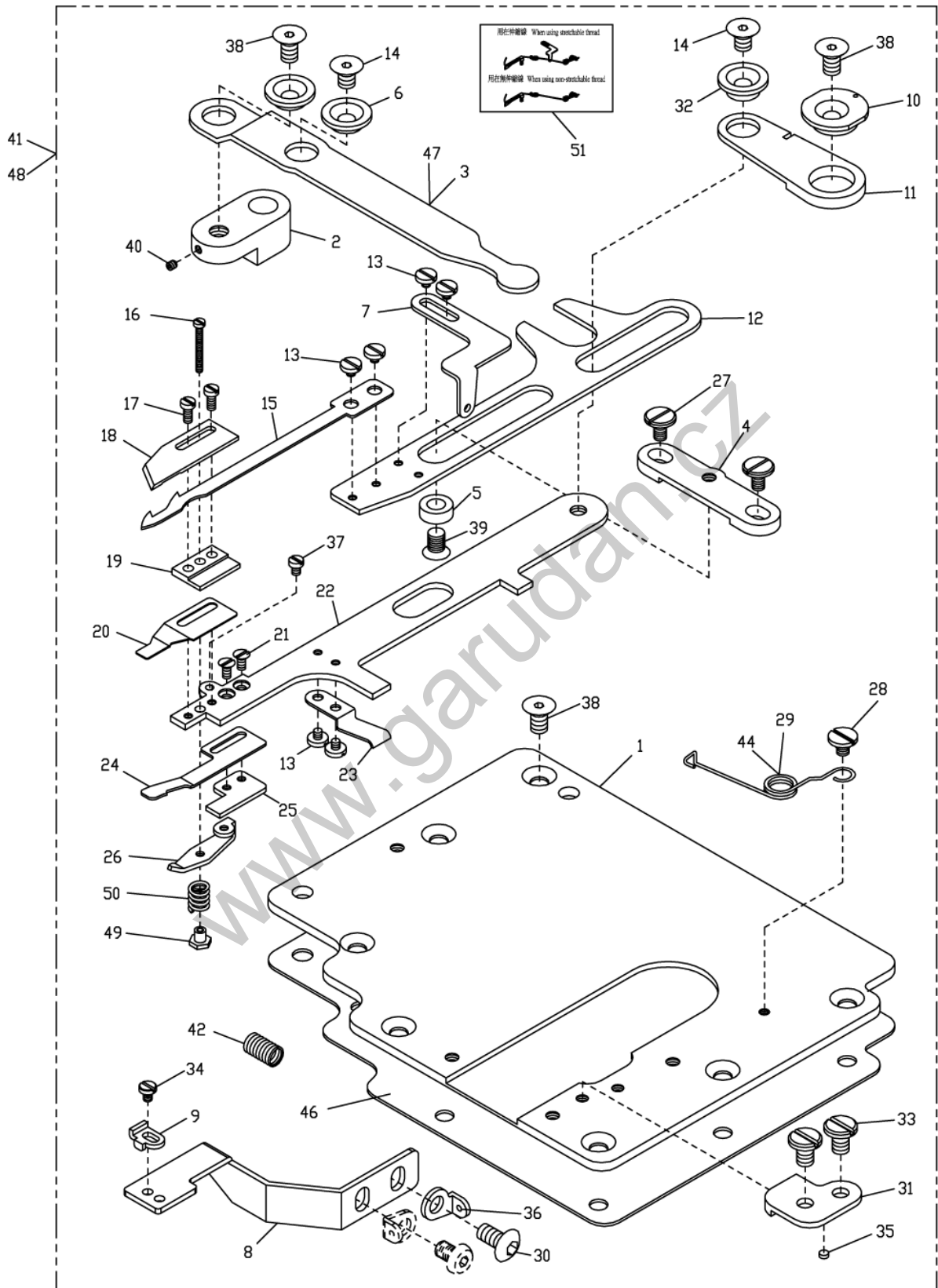




### III. UNDER TRIMMER COMPONENTS (1/2)

Ref. No.	Parts No.	Description	QTY
1	4UTB0201011	Crank Chamber Cover	1
2	4UTB020102	Connecting Block	1
*3	4UTB020103	Driving Lever	1
4	4UTB020104	Bracket Holder	1
5	4UTB020105	Spacer	1
6	4UTB020106	Spacer	2
7	4UTB0201071	Thread Guide Eyelet	1
8	4UTB0201081	Lower Knife Carrier Guide	1
9	4UTB020109	Knock Block	1
10	4UTB000110	Adjusting Ring	1
11	4UTB010111	Lever	1
12	4UTB010112	Lower Knife Carrier	1
13	8MB75180205A	Screw (M2.5-0.45*2)	6
14	8MQ04280608A	Screw (M4-0.7*6)	2
15	4UTB000115	Lower Movable Knife	1
16	8MB02161504E	Screw (M2-0.4*14.8)	1
17	8MB02160505A	Screw (M2-0.4*4)	2
18	4UTB000118	Lower Fixed Knife	1
19	4UTB000119	Lower Movable Knife Guide	1
20	4UTB000120	Clamp Spring	1
21	8ME02160404A	Screw (M2-0.4*3)	2
22	4UTB010122	Lower Knife Holder	1
23	4UTB000123	Supplementary Spring	1
24	4UTB000124	Knife Pressure Spring	1
25	4UTB000125	Clamp Spring Pressure Holder	1
26	4UTB010126	Clamp Spring Adjusting Piece	1
27	8MB04280508A	Screw (M4-0.7*5.5)	2
28	8MB03200407G	Stud (M3-0.5*2)	1
*29	4UTB000129	Spring	1
30	8MP04280808A	Screw (M4-0.7*8)	1
31	4UTB000131	Upper Knife Carrier Guide	1
32	4UTB000108	Spacer	1
33	8MB85240407A	Screw (FT0538 M3.5-0.6*4)	2
34	8MB03200306A	Screw (M3-0.5*3)	1
35	4UTB000135	Rubber Cushion	1
36	2270000319	Thread Guide	1
37	8MB02160304A	Screw (M2-0.4*3)	1
38	8MQ04280808A	Screw (M4-0.7*8)	9
39	8ME04280507A	Screw (M4-0.7*4)	1

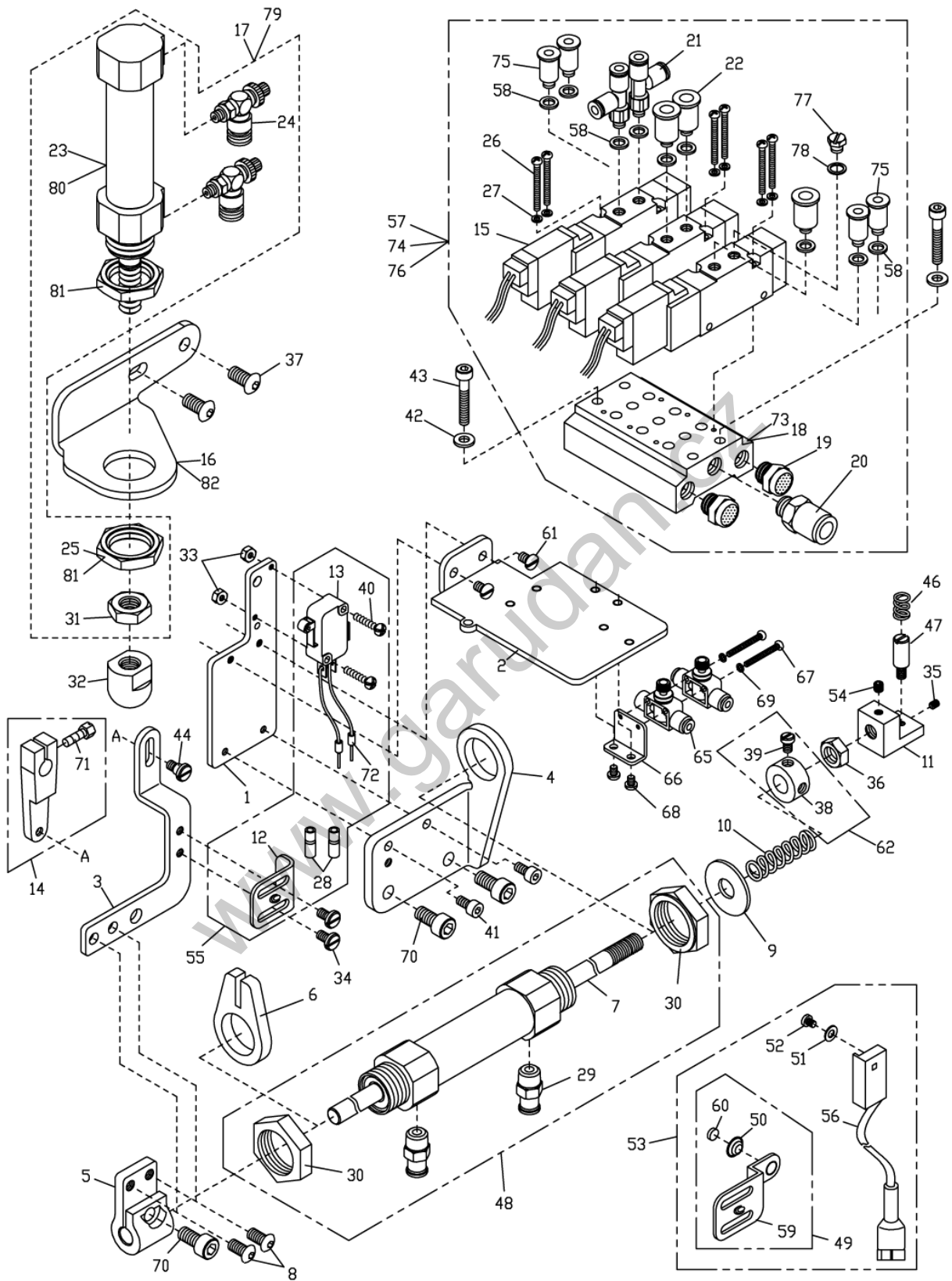
III. UNDER TRIMMER COMPONENTS (2/2)



III. UNDER TRIMMER COMPONENTS (2/2)			
Ref. No.	Parts No.	Description	QTY
40	8MN03200300A	Screw (M3-0.5*3)	1
*41	4UTB02A0141	Under Trimmer Components	1
42	4UTB010141	Spring	1
**44	4UTB010143	Spring	1
46	4UTB020146	Gasket	1
**47	4UTC020117	Driving Lever	1
**48	4UTC02A0118	Under Trimmer Components	1
49	4UTB020149	Nut	1
50	4UTB020150	Spring	1
51	66443-2	Paster	1
	*Pneumatic Type		
	**Electric Type		

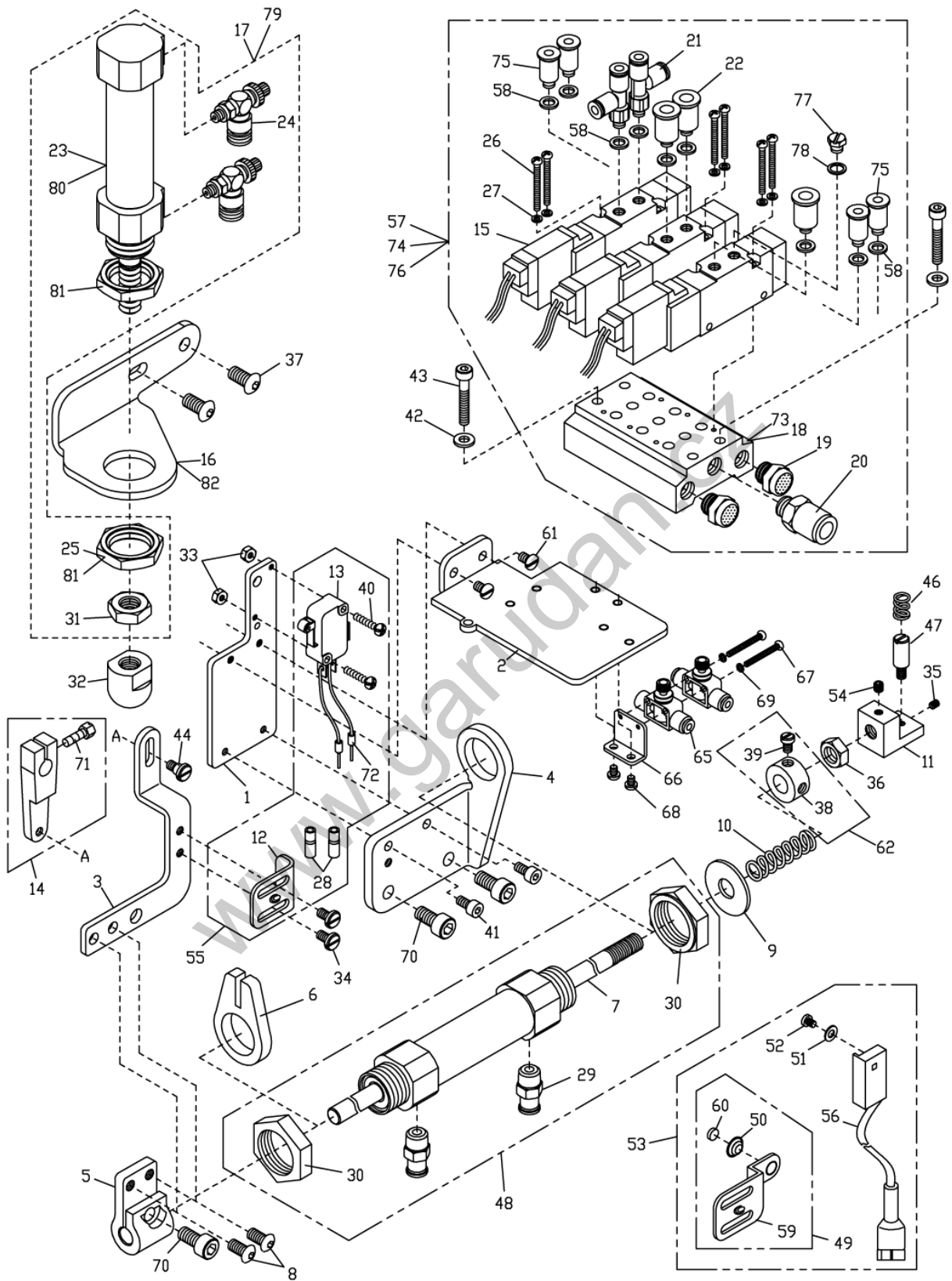
www.garudan.cz

IV. COMPRESSED AIR COMPONENTS (1/2)



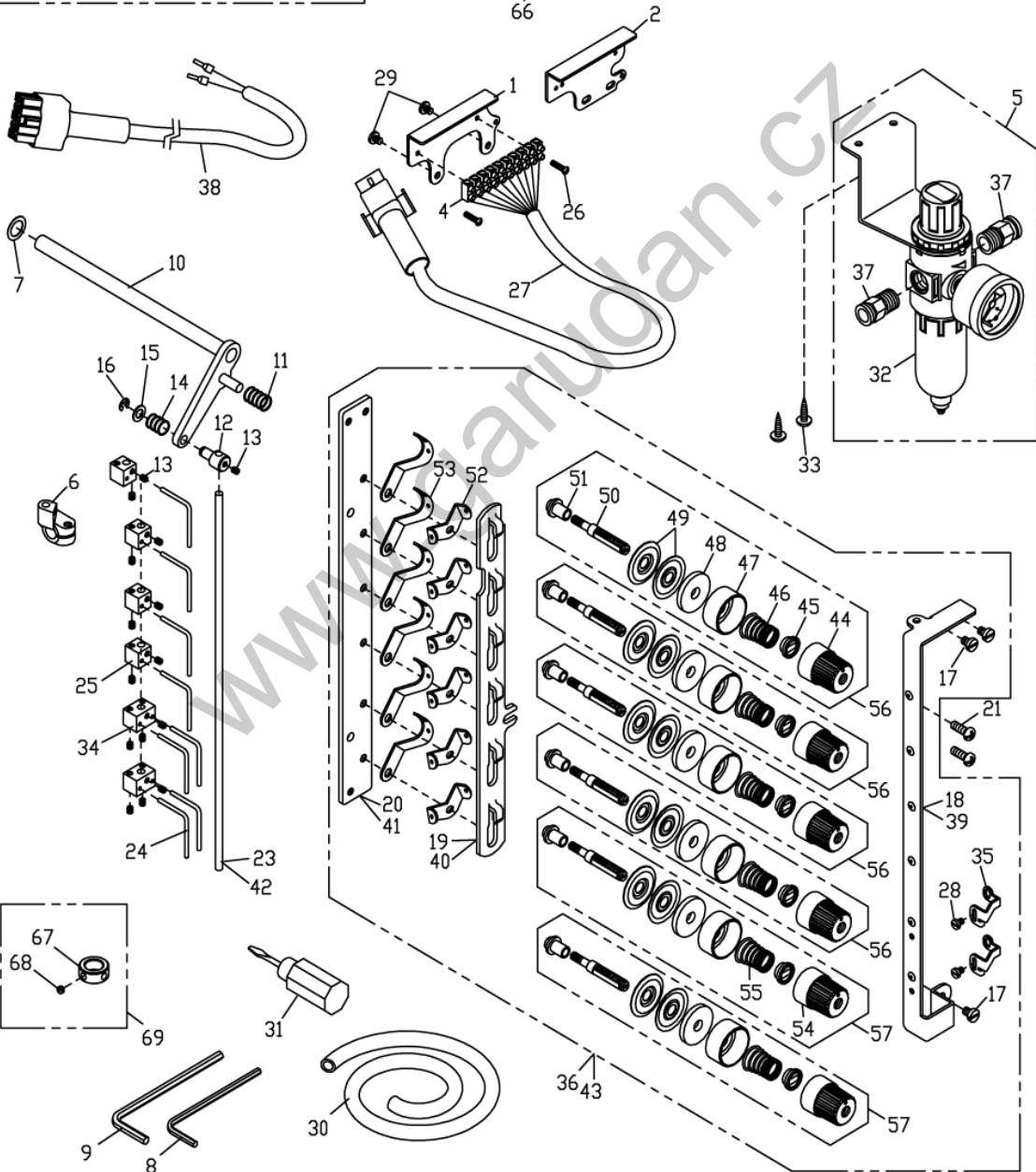
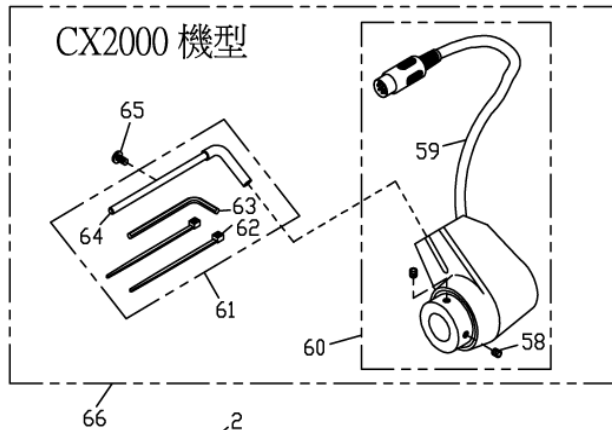
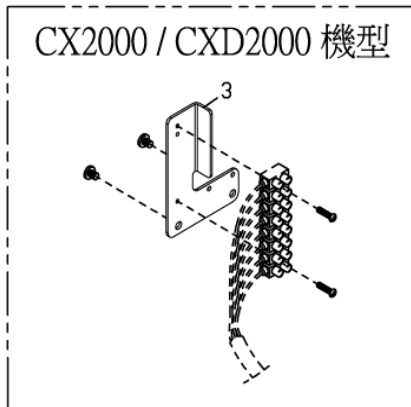
IV. COMPRESSED AIR COMPONENTS (1/2)			
Ref. No.	Parts No.	Description	QTY
1	4UTB0202011	Safety Switch Bracket	1
2	4UTG020102	Base	1
3	4UTB020203	Connecting Plate	1
4	4UTB020204	Cylinder Bracket	1
5	4UTB020205	Bracket Holder	1
6	4UTB0202061	Yoke Guide	1
7	4UTB0202071	Cylinder	1
8	8MP05320810A	Screw (M5-0.8*8)	2
9	2200001510	Washer	1
10	4UTB020210	Spring	1
11	4UTB020211	Plunger	1
12	4UTB020212	Stopper	1
13	4UTB000336	Safety Switch	1
14	4UTB010337	Tension Release lever	1
15	4UTB010315	Electromagnetic Valve	-
16	4UTB030216	Bracket Holder	1
17	4UTB03A0217	Cylinder Asm	1
18	4UTB010318	Electromagnetic Valve Base	1
19	4UTG010319	Silencer	2
20	4UTB020266	Elbow Connector	1
21	4UTB010311	Connector	2
22	4UTB010312	Connector	-
23	4UTB030223	Cylinder	1
24	4UTB000305	Speed Controller	2
25	8MA22600627A	Nut (M22-1.5*6)	1
26	4UTB010313	Screw ( M2.5-0.45*25)	-
27	4UTB010314	Spring Washer	-
28	4UTB020228	Bushing	2
29	4UTB020229	Elbow Connector	2
30	8MA20600627A	Nut (M20-1.5*6)	2
31	8MA10600617A	Nut	1
32	4PFE010113	Clutch Sleeve	1
33	8MA03200306A	Nut (M3-0.5*3)	2
34	8MB04280507K	Screw (M4-0.7*5)	2
35	8MN03200400A	Screw (M3-0.5*4)	1
36	8MA08500513A	Nut (M8-1.25*5)	1
37	8MP06401211A	Screw (M6-1*12)	2
38	4UTB010245	Collar	1
39	8MC95300606F	Screw (M4.5-0.75*5)	1

IV. COMPRESSED AIR COMPONENTS (2/2)



IV. COMPRESSED AIR COMPONENTS (2/2)			
Ref. No.	Parts No.	Description	QTY
40	8MC03201606D	Screw (M3-0.5*16)	2
41	8MM04280807A	Screw (M4-0.7*8)	2
42	90SW040	Spring Washer	2
43	8MM04282507B	Screw (M4-0.7*25)	2
44	8MB04280908G	Stud (M4-0.7*4)	1
46	2200000816	Spring	1
47	8MB04280607M	Stud (M4-0.7*5.5)	1
48	4UTB02A02011	Cylinder Asm.	1
49	4UTB02A0249	Knife Holder Bracket Asm	1
50	4UTB020250	Brass Button	1
51	2200001025	Washer	1
52	8SB44400608K	Screw (11/64-40*6)	1
*53	4UTB02A0253	Magnetic Type Safety Switch SET.	1
54	8MN04280400A	Screw (M4-0.7*4)	1
55	4UTB02A0255	One Touch Type Safety Switch SET.	1
56	4UTB020256	Safety Switch	1
57	4UTB01A03491	Electromagnetic Valve Asm	1
58	4UTB010353	Washer	-
59	4UTB020259	Knife Holder Bracket	1
60	4UTB000444	Magnet	1

V. THREAD TENSION COMPONENTS AND MOTOR COMPONENTS (1/2)





**V. THREAD TENSION COMPONENTS AND MOTOR COMPONENTS (1/2)**

Ref. No.	Parts No.	Description	QTY
*1	4UTB000428	Terminal Holder Support	1
**2	4UTB060301	Terminal Holder Support	1
***3	4UTB080301	Terminal Holder Support	1
4	4UTB000457	Connector	1
5	4UTB00A04582	Regulator Asm.	1
Δ6	4UTB000451	Looper Holder	1
7	4UTB010459	Clamp Spring Pressure Holder	1
8	66635	Allen Key 2MM	1
9	66640	Allen Key 2.5MM	1
10	4UTB000410	Tension Release Shaft	1
11	4UTB000411	Spring	1
12	4UTB000412	Pin	1
13	8MN03200300A	Screw (M3-0.5*3) (see the table)	-
14	4UTB000414	Spring	1
15	2200001025	Washer	1
16	90ER030	E Ring	1
17	8MB04280507K	Screw (M4-0.7*5)	3
18	4UTB000418	Thread Guide Eyelet	1
19	4UTB000419	Release Wedge	1
20	4UTB000420	Tension Post Support	1
21	8MC04281207D	Screw (M4-0.7*12)	2
23	4UTB000423	Guide Bar	1
24	4UTB000424	Release Bar (see the table)	-
25	4UTB000425	Thread Pull-off Block (see the table)	-
26	8MC03201006D	Screw (M3-0.5*10)	2
27	4UTB000427	Terminal Holder	1
28	8MB03200306X	Screw (M3-0.5*3)	2
29	8MB04280608A	Screw (M4-0.7*6)	2
30	4UTB010430	Air Tube	1
31	66668	Screwdriver	1
32	4UTB0004321	Regulator	1
33	8WD30000015B	Wood Screw	2
34	4UTB000434	Thread Pull-off Block (see the table)	-
35	4UTB000435	Thread Guide Eyelet	2
36	4UTB02A0349	Theard Tension Mechanism	1
37	4UTB010456	8 mm Connector	2
38	4UTG010462	Connector	1
39	4UTB040318	Thread Guide Eyelet	1
40	4UTB040319	Release Wedge	1
41	4UTB040320	Tension Post Support	1
42	4UTB040323	Guide Bar	1
43	4UTB04A0349	Theard Tension Mechanism	1
44	2100001121	Tension Nut ( Red )(see the table)	-
45	2200000303	Bushing (see the table)	-
46	2100001123	Spring ( Red ) (see the table)	-
47	2200000305	Spring Seat (see the table)	-
48	2100001127	Felt (see the table)	-
49	2100001126	Tension Disc (see the table)	-
50	22000003081	Stud (see the table)	-
51	22000003091	Spacer (see the table)	-
52	2200000311	Thread Guide (see the table)	-
53	2200000312	Thread Guide (see the table)	-
54	2100001121A	Tension Nut (Yellow) (see the table)	-
55	2100041131	Spring ( Yellow ) (see the table)	-



V. THREAD TENSION COMPONENTS AND MOTOR COMPONENTS (1/2)			
Ref. No.	Parts No.	Description	QTY
56	231A00001922	Tension Asm. (Red) (see the table)	-
57	220A0000315	Tension Asm. (Yellow) (see the table)	-
58	8MN06400600A	Screw (M6-1*6)	2
59	4UTB020303	Synchronizer	1
60	4UTB02A0304	Mount- on Type Synchronizer	1
61	4UTB02A0305	Stopper Set Asm.	1
62	4UTB020306	Plastic Binding Wire	2
63	4UTB020307	Allen Key	1
64	4UTB020308	Stopper	1
65	8MC04281007A	Screw (M4-0.7*10)	1
© 66	4UTB02A0347	Mount- on Type Synchronizer Set	1
67	2200000812	Stop Collar	1
68	8MH85240300A	Screw (M3.5-0.6*3)	2
69	220A0000839	Collar Asm.	1

\* : UTB03 / UTB03F / UTB05 / UTG03 / UTG03F / UTH03 / UTH03F

\*\* : UTB07 / UTB07B / UTB07F / UTG11 / UTG11F

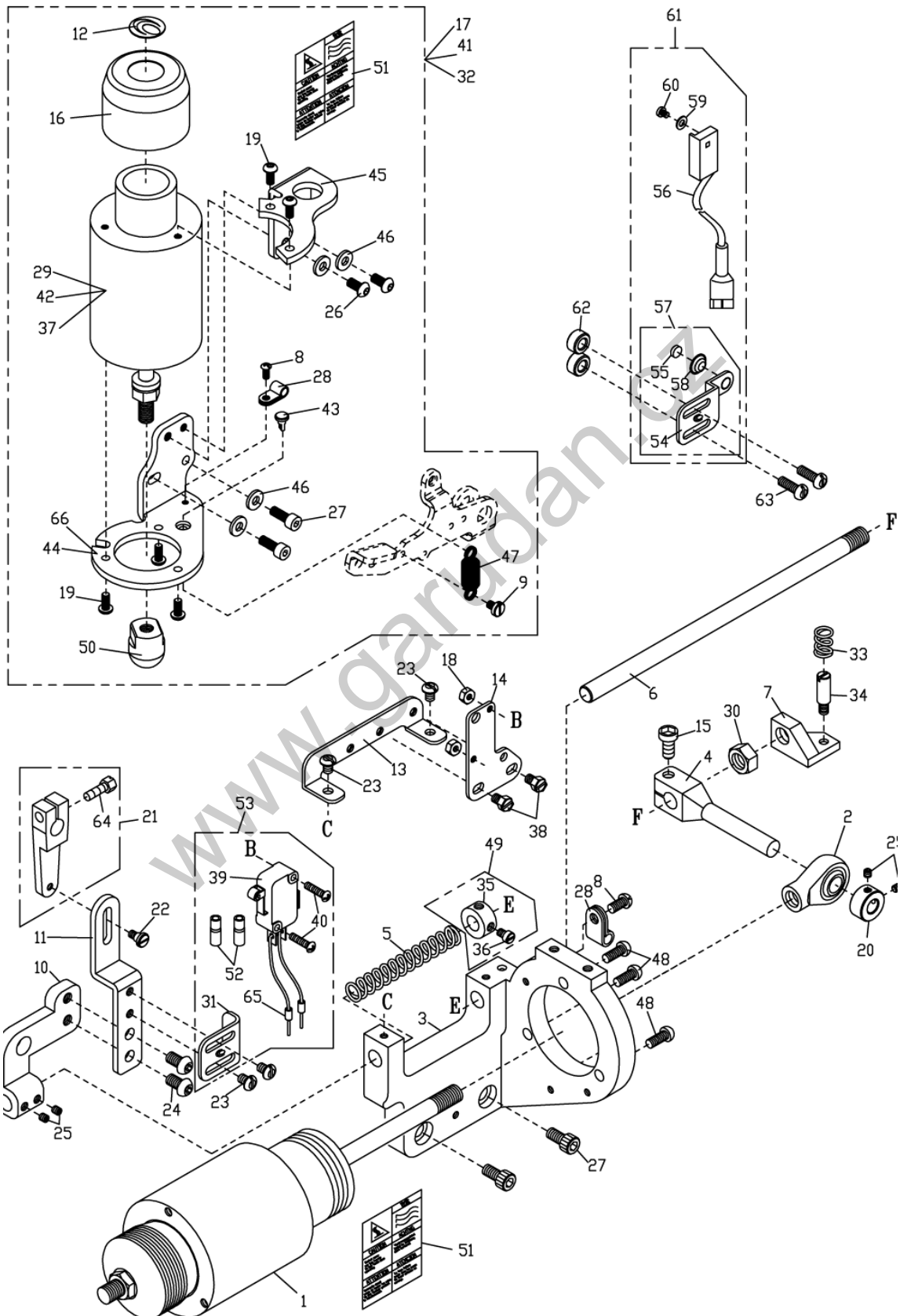
\*\*\* : UTB08/UTB08B/UTB09/UTB09B/UTB09F/UTB09BF/UTG08/UTG09/UTG09F/UTG08/UTH09/UTH09F

Δ : UTB03 / UTB03F / UTB05 / UTB08 / UTB08B / UTB09 / UTB09B / UTB09F / UTB09BF / UTG03 / UTG03F / UTG08 / UTG09 / UTG09F / UTH03 / UTH03F / UTH08 / UTH09 / UTH09F

To choose and purchase:These two devices should be used together with AC servo motor

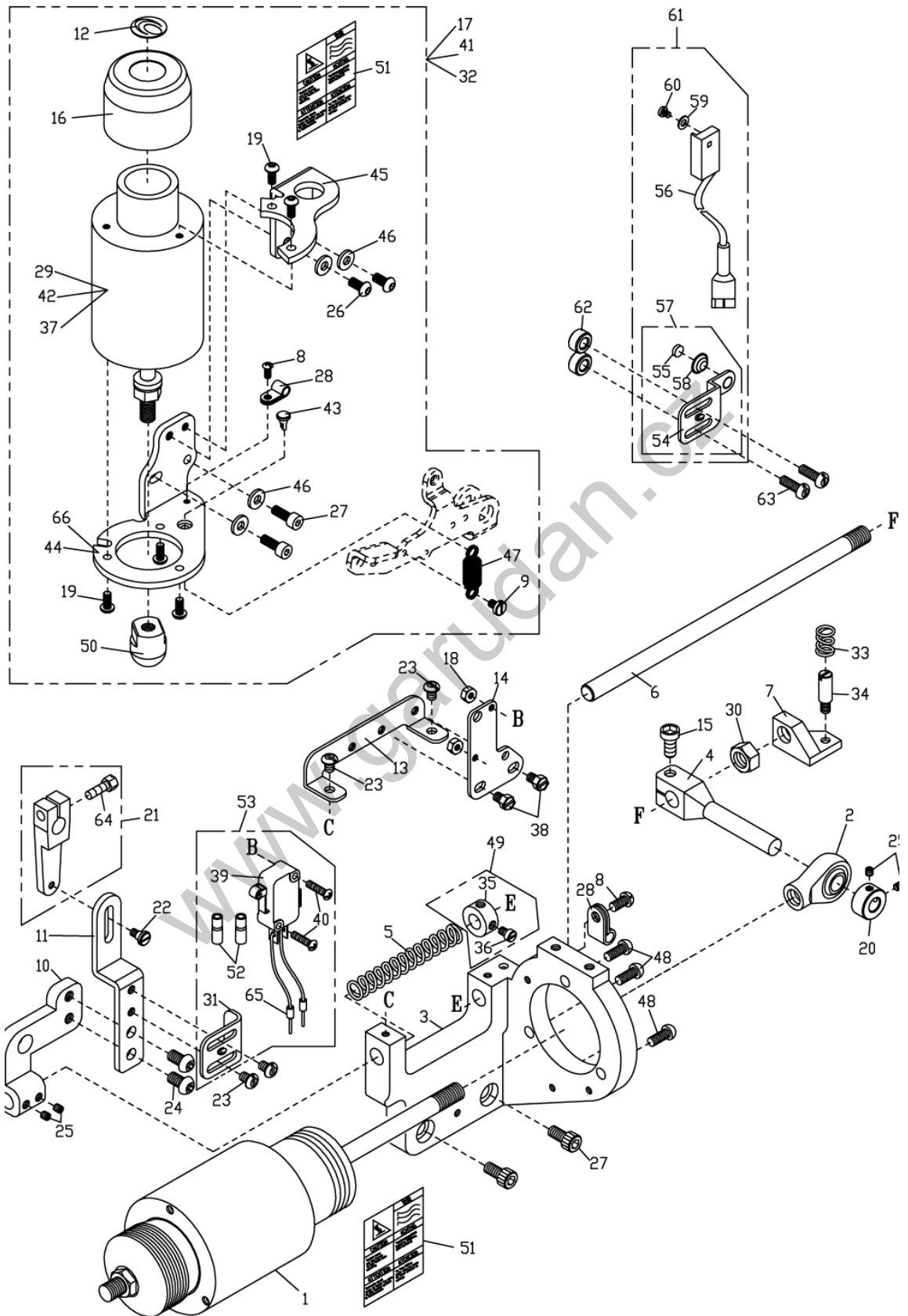
Model UTB03 / UTB03F / UTB07 / UTB07F / UTB08 / UTB09 / UTB09F / UTH03 / UTH03F / UTH08 / UTH09 / UTH09F													
Number of needle \	Ref. No.	13	24	25	34	18	19	20	23	36	44	45	46
2 Needle without Spreader		8pcs.	4pcs.	2pcs.	1pcs.								
3 Needle without Spreader		10pcs.	5pcs.	3pcs.	1pcs.	1	1	1	1	1	3	5	3
2 Needle with Spreader		11pcs.	6pcs.	2pcs.	2pcs.								
3 Needle with Spreader		13pcs.	7pcs.	3pcs.	2pcs.								
Number of needle \	Ref. No.	47	48	49	50	51	52	53	54	55	56	57	
2 Needle without Spreader													
3 Needle without Spreader													
2 Needle with Spreader		5	5	10	5	5	5	5	2	2	3	2	
3 Needle with Spreader													
Model UTG03 / UTG03F / UTG08 / UTG09 / UTG09F / UTG11 / UTG11F													
Number of needle \	Ref. No.	13	24	25	34	18	19	20	23	36	38	44	45
2 Needle without Spreader		8pcs.	4pcs.	2pcs.	1pcs.								
3 Needle without Spreader		10pcs.	5pcs.	3pcs.	1pcs.	1	1	1	1	1	1	3	5
2 Needle with Spreader		11pcs.	6pcs.	2pcs.	2pcs.								
3 Needle with Spreader		13pcs.	7pcs.	3pcs.	2pcs.								
Number of needle \	Ref. No.	46	47	48	49	50	51	52	53	54	55	56	57
2 Needle without Spreader													
3 Needle without Spreader													
2 Needle with Spreader		3	5	5	10	5	5	5	5	2	2	3	2
3 Needle with Spreader													
Model UTB05 / UTB07B / UTB08B / UTB09B / UTB09BF ( 4 Needle 6 Thread)													
Number of needle \	Ref. No.	13	24	25	34	39	40	41	42	43	44	45	46
4 Needle without Spreader		12pcs.	6pcs.	4pcs.	1pcs.	1	1	1	1	1	4	6	4
4 Needle with Spreader		15pcs.	8pcs.	4pcs.	2pcs.								
Number of needle \	Ref. No.	47	48	49	50	51	52	53	54	55	56	57	
4 Needle without Spreader													
4 Needle with Spreader		6	6	12	6	6	6	6	2	2	4	2	

VI. ELECTRIC TYPE COMPONENTS (1/2)



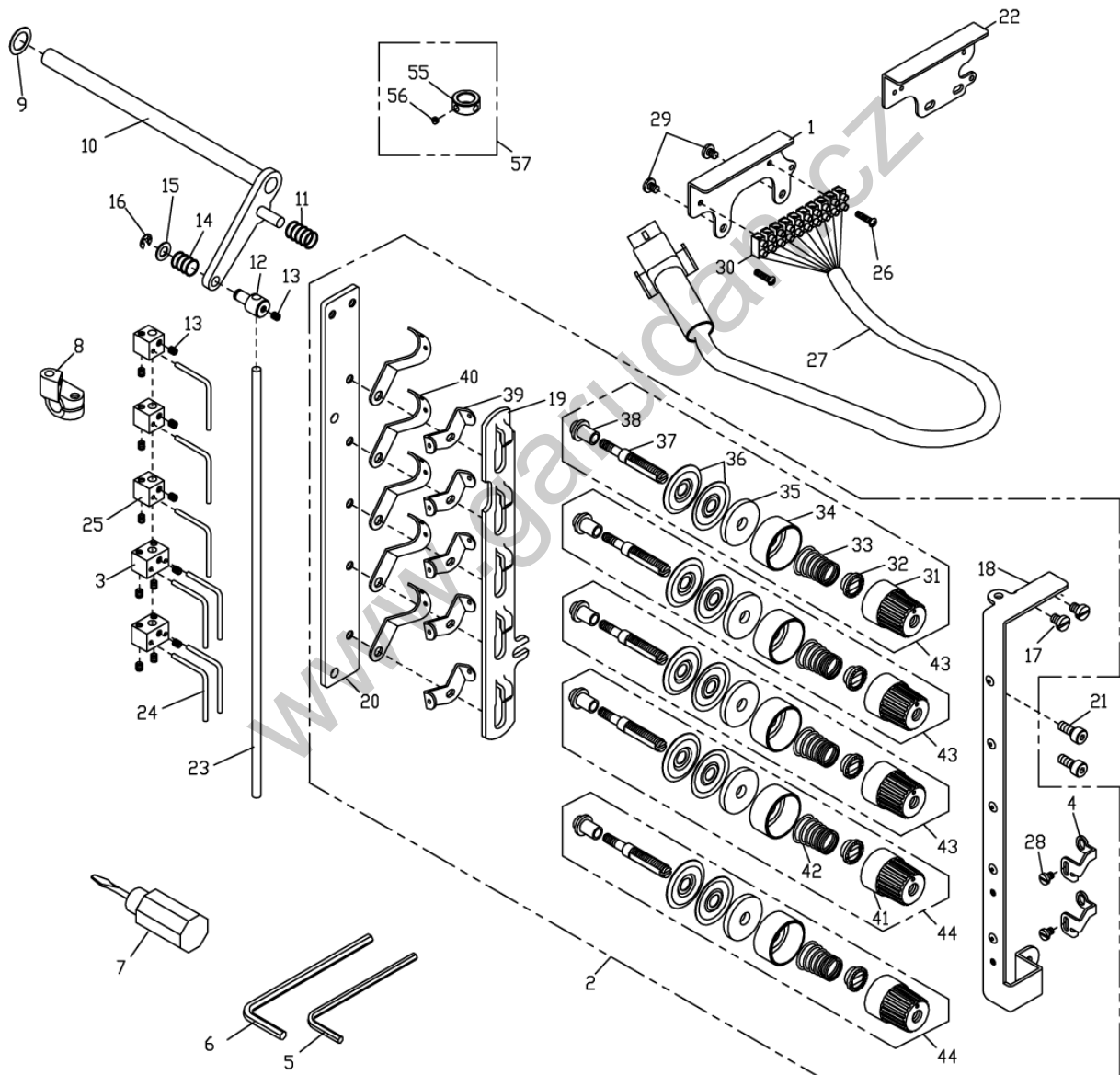
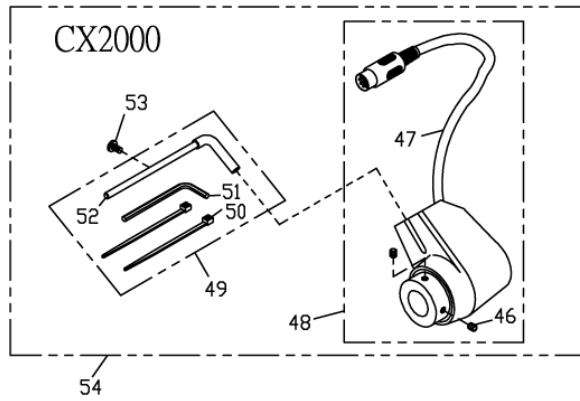
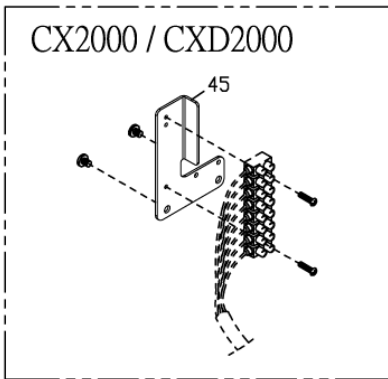
VI. ELECTRIC TYPE COMPONENTS (1/2)			
Ref. No.	Parts No.	Description	QTY
1	4UTC040201	Solenoid	1
2	4UTC040202	Plunger Connecting Rod	1
3	4UTC0201031	Plunger	1
4	4UTC040204	Connecting Plate	1
5	4UTC0201091	Spring	1
6	4UTC040206	Shaft	1
7	4UTC040207	Plunger	1
8	8MC04280807D	Screw (M4-0.7*8)	2
9	8MB05320710G	Screw (M5-0.8*7)	1
10	4UTC0201101	Plunger	1
11	4UTC0201111	Connecting Plate	1
12	66480-11	Plate	1
13	4UTC0201131	Base	1
14	4UTC0201141	Safety Switch Bracket	1
15	8MM05321409A	Screw (M5-0.8*14)	1
16	4PFE010119	Cover	1
***17	PFE2F	Presser Foot Lifter,C.Set	1
18	8MA03200306A	Nut (M3-0.5*3)	2
19	8MP05321210A	Screw (M5-0.8*11.5)	5
20	4UTB010152	Collar	1
21	4UTC020121	Tension Release Lever	1
22	8MB04280908G	Stud (M4-0.7*4)	1
23	8MB04280507K	Screw (M4-0.7*5)	4
24	8MP05320810A	Screw (M5-0.8*8)	2
25	8MN04280400A	Screw (M4-0.7*4)	4
26	8MP06401211A	Screw (M6-1*12)	2
27	8MM06401610A	Screw (M6-1*16)	4
28	4UTD000254	Cord Clamp	2
***29	4PFE2F0118	Presser Foot Lifter Solenoid	1
30	8MA08500613A	Nut (M8-1.25*6)	1
31	4UTB020212	Stopper	1
**32	PFE2P	Presser Foot Lifter,C.Set	1
33	2200000816	Spring	1
34	8MB04280607M	Stud (M4-0.7*5.5)	1
35	4UTB010245	Collar	1
36	8MC95300606F	Screw (M4.5-0.75*5)	1
**37	4PFE1P0121	Presser Foot Lifter Solenoid	1
38	8MK04280507A	Screw (M4-1.7*5)	2
39	4UTB000336	Safety Switch	1

VI. ELECTRIC TYPE COMPONENTS (2/2)



VI. ELECTRIC TYPE COMPONENTS (1/2)			
Ref. No.	Parts No.	Description	QTY
40	8MC03201606D	Screw (M3-0.5*16)	2
41	PFE02	Presser Foot Lifter,C.Set	1
42	4PFE010101	Presser Foot Lifter Solenoid	1
43	4PFE020102	Joint	1
44	4PFE020103	Bracket	1
45	4PFE020104	Bracket	1
46	2100000323	Washer	4
47	4PFE010106	Spring	1
48	8MP05321610A	Screw (M5-0.8*16)	3
49	4UTB01A0255	Collar Asm	1
50	4PFE010113	Clutch Sleeve	1
51	4UTC000139	Paster	2
52	4UTB020228	Bushing	2
53	4UTB02A0255	One Touch Type Safety Switch SET.	1
*54	4UTB020259	Knife Holder Bracket	1
*55	4UTB000444	Magnet	1
*56	4UTB020256	Safety Switch	1
*57	4UTB02A0249	Knife Holder Bracket Asm.	1
*58	4UTB020250	Brass Button	1
*59	2200001025	Washer	1
*60	8SB44400507A	Screw	1
*61	4UTB02A0253	Magnetic Type Safety Switch SET.	1
*62	2200001141	Spacer	2
*63	8MB04281207K	Screw (M4-0.7*12)	2
64	8MK95301407A	Screw (M4.5-0.75*14)	1
65	4UTB020272	Power cord	2
***66	4PFE2F0119	Bracket	1
	* For Magnetic Type Safety Switch SET		
	** RP		
	*** UTC03F / UTC07F / UTC09F		

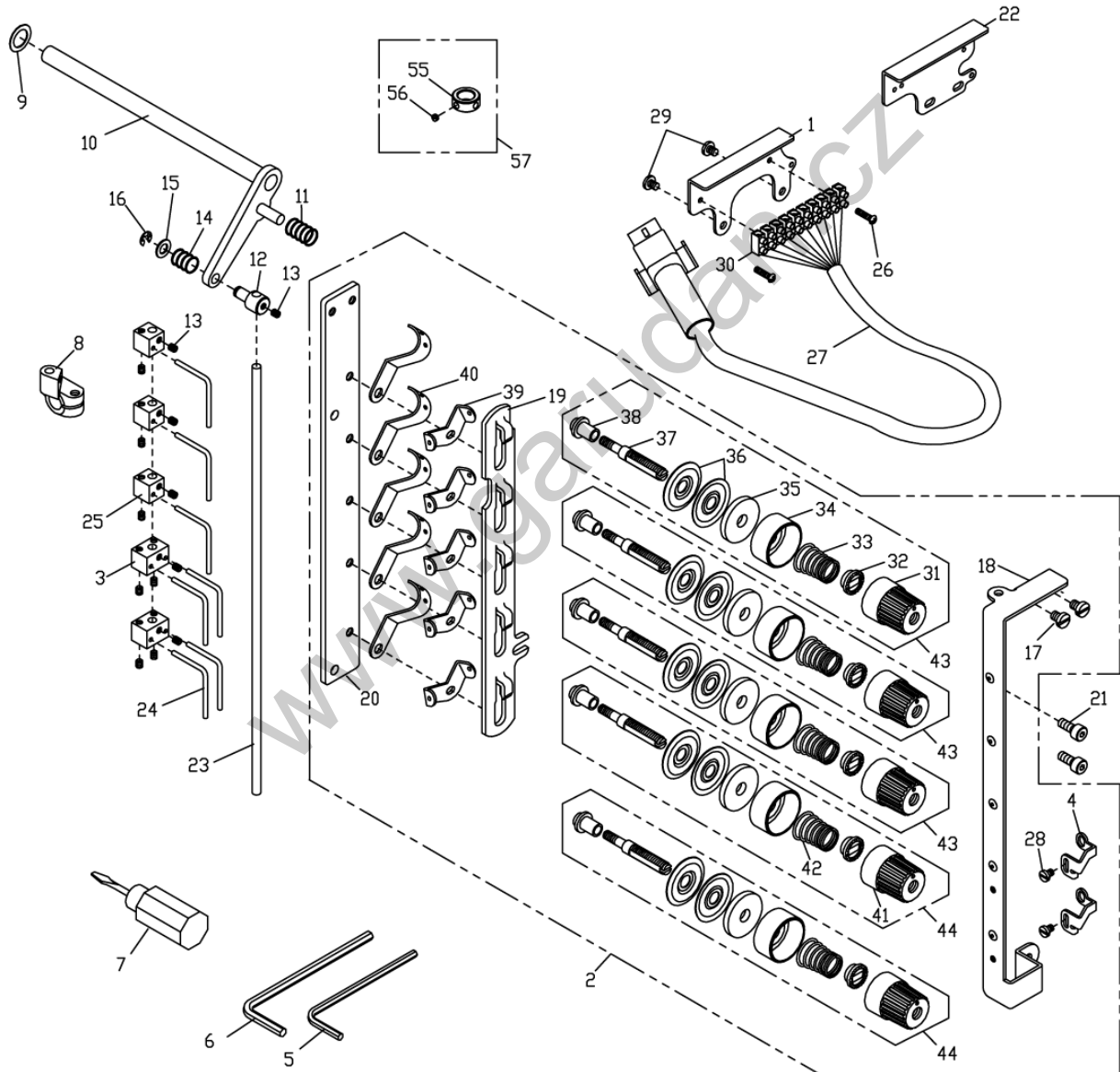
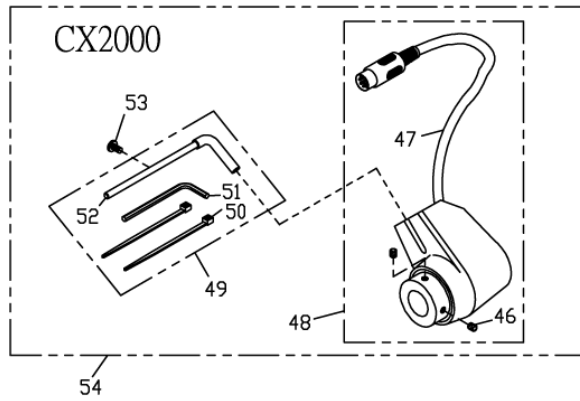
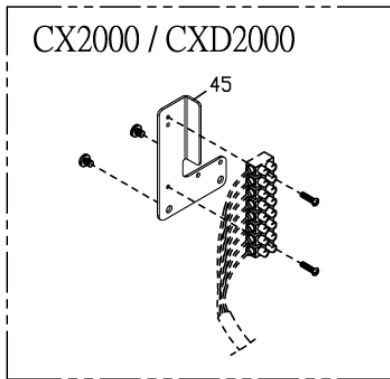
VII. THREAD TENSION COMPONENTS AND MOTOR COMPONENTS (1/2)





VII. THREAD TENSION COMPONENTS AND MOTOR COMPONENTS (1/2)			
Ref. No.	Parts No.	Description	QTY
*1	4UTB000428	Terminal Holder Support	1
2	4UTB02A0349	Thread Tension Mechanism	1
3	4UTB000434	Thread Pull-off Block (see the table)	-
4	4UTB000435	Thread Guide Eyelet	2
5	66635	Allen Key 2MM	1
6	66640	Allen Key 2.5MM	1
7	66668	Screwdriver	1
Δ8	4UTB000451	Looper Holder	1
9	4UTB010459	Clamp Spring Pressure Holder	1
10	4UTB000410	Tension Release Shaft	1
11	4UTB000411	Spring	1
12	4UTB000412	Pin	1
13	8MN03200300A	Screw (M3-0.5*3) (see the table)	-
14	4UTB000414	Spring	1
15	2200001025	Washer	1
16	90ER030	E Ring	1
17	8MB04280507K	Screw (M4-0.7*5)	2
18	4UTB000418	Thread Guide Eyelet	1
19	4UTB000419	Release Wedge	1
20	4UTB000420	Tension Post Support	1
21	8MM04281007A	Screw (M4-0.7*10)	2
**22	4UTB060301	Terminal Holder Support	1
23	4UTB000423	Guide Bar	1
24	4UTB000424	Release Bar	-
25	4UTB000425	Thread Pull-off Block (see the table)	-
26	8MC03201006D	Screw (M3-0.5*10) (see the table)	2
27	4UTB000427	Terminal Holder	1
28	8MB03200306X	Screw (M3-0.5*3)	2
29	8MB04280608A	Screw (M4-0.7*6)	2
30	4UTB000457	Connector	1
31	2100001121	Tension Nut ( Red ) ( SH1121)	3
32	2200000303	Bushing	5
33	2100001123	Spring ( Red ) ( SH1123)	3
34	2200000305	Spring Seat	5
35	2100001127	Felt	5
36	2100001126	Tension Disc	10
37	22000003081	Stud	5
38	22000003091	Spacer	5
39	2200000311	Thread Guide	5
40	2200000312	Thread Guide	5

VII. THREAD TENSION COMPONENTS AND MOTOR COMPONENTS (2/2)

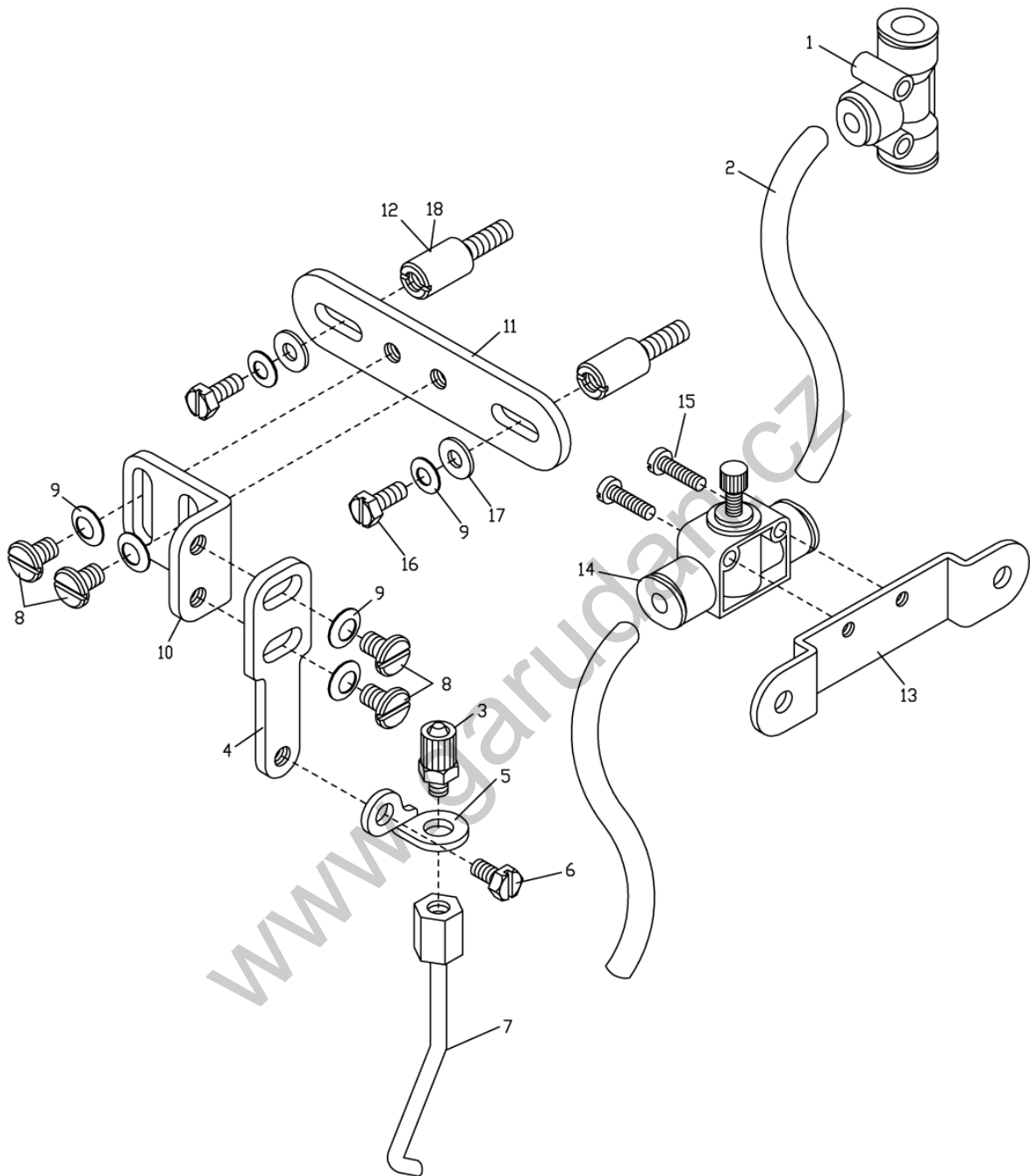


VII. THREAD TENSION COMPONENTS AND MOTOR COMPONENTS (2/2)			
Ref. No.	Parts No.	Description	QTY
41	2100001121A	Tension Nut (Yellow )	2
42	2100041131	Spring ( Yellow )	2
43	231A0001922	Tension Asm. (Red)	3
44	220A0000315	Tension Asm. (Yellow)	2
***45	4UTB080301	Terminal Holder Support	1
46	8MN06400600A	Screw (M6-1*6)	2
47	4UTB020303	Synchronizer	1
48	4UTB02A0304	Mount- on Type Synchronizer	1
49	4UTB02A0305	Stopper Set Asm.	1
50	4UTB020306	Plastic Binding Wire	2
51	4UTB020307	Allen Key	1
52	4UTB020308	Stopper	1
53	8MC04281007A	Screw (M4-0.7*10)	1
©54	4UTB02A0347	Mount- on Type Synchronizer Set	1
55	2200000812	Stop Collar	1
56	8MH85240300A	Screw (M3.5-0.6*3)	2
57	220A0000839	Collar Asm.	1
	* UTC03 / UTC03F	** UTC07 / UTC07F	
	△ UTC03 / UTC03F / UTC08 / UTC09		

©:To choose and purchase: These two devices should be used together with AC servo motor <Model No:HVP-60,HVP-70,HVP-90>

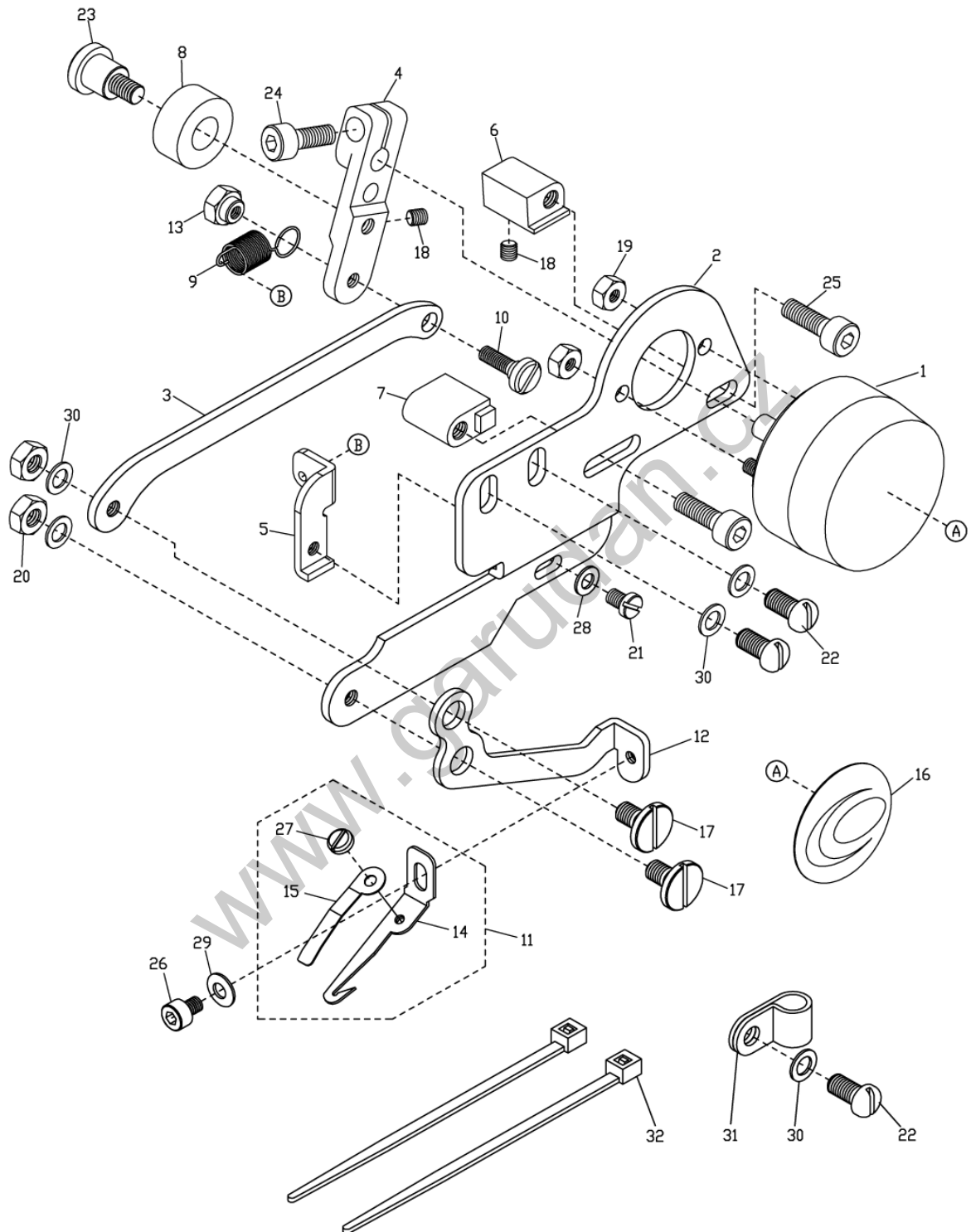
Ref. No.	3	13	24	25
2 Needle without Spreader	1pcs.	8pcs.	4pcs.	2pcs.
3Needle without Spreader	1pcs.	10pcs.	5psc.	3pcs.
2 Needle with Spreader	2pcs.	11pcs.	6pcs.	2pcs.
3 Needle with Spreader	2pcs.	13pcs.	7pcs.	3pcs.

## VIII. AIR-WIPE COMPONENTS



VIII. AIR-WIPE COMPONENTS			
Ref. No.	Parts No.	Description	QTY
1	4WPC000101	T Connector	1
2	4WPC000102	Air Tube	2
3	4WPC000103	Controller	1
4	4WPC000104	Holder Arm	1
5	4WPC000105	Holder Bracket	1
6	8MK04280507A	Screw (M4-0.7*5)	1
7	4WPC000107	Blow Tube	1
8	8MB04280608A	Screw (M4-0.7*6)	4
9	90DW040	Dick Washer	6
10	4WPC000110	Connecting Bracket	1
11	4WPC000111	Knife Holder Bracket	1
*12	4STB020122	Stud	2
13	4WPC000113	Holder Bracket	1
14	4WPC000114	Speed Controller	1
15	8MC03201606D	Screw (M3-0.5*16)	2
16	8MK04281007A	Screw (M4-0.7*10)	2
17	90PW040	Spring Washer	2
**18	4STB030122	Stud	2
	* : WPC		
	** : WPC02 (CTD9000 / CTD9711 / FTD7000 / CX2000 / CXD2000)		

IX. THREAD-WIPE COMPONENTS



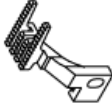





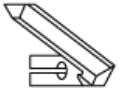



IX. THREAD-WIPE COMPONENTS			
Ref. No.	Parts No.	Description	QTY
1	4WPG010101	Wiper Solenoid	1
2	4WPG0101021	Solenoid Support	1
3	4WPG0101031	Arm	1
4	4WPG010104	Driving Lever	1
5	4WPG010105	Solenoid Support	1
6	4WPG010106	Stop Block	1
7	4WPG010107	Stop Block	1
8	4WPG010108	Rubber cushion	1
9	4WPG010109	Spring	1
10	4WPG010110	Stud ( WPG0110)	1
11	4WPG01A0111	Hook Asm	1
12	4WPG0101121	Arm	1
13	4WPG010113	Nut	1
14	4WPG010114	Hook	1
15	4WPG010115	Latch Spring	1
16	66480-18	Plate	1
17	8MB04280810G	Stud	2
18	8MN03200300A	Screw (M3-0.5*3)	2
19	8MA03200306A	Nut (M3-0.5*3)	2
20	8MA04280307A	Nut (M4-0.7*3)	2
21	8MB03200606K	Screw (M3-0.5*6)	1
22	8MB04280807K	Screw (M4-0.7*8)	3
23	8MB04281210E	Stud	1
24	8MM04281007A	Screw (M4-0.7*10)	1
25	8MM04281207A	Screw (M4-0.7*12)	2
26	8MM03200406A	Screw (M3-0.5*4)	1
27	8SB24560205A	Screw (3/32"-56*2)	1
28	90PW030	Washer	1
29	90DW030	Disk Washer	1
30	90DW040	Disk Washer	5
31	4UTD000254	Cord Clamp	1
32	4UTB020306	Plastic Binding Wire	2









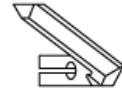

X. GAUGE PARTS LIST

CTD9000 GAUGE PARTS LIST

CTD9000-0-0-□□□M  
CTD9000-0-□□□M

Main Parts											Needle	UY128GAS # 11
	Throat plate											
Needle	m.m											
2	4.0	5222TP00401	5220PF00404	5220F000563 5220JG0016	5220NC00400	5220SL00560	5220LL00560	5220NG00563	5220NG00562			
2	4.8	5220TP00484	5220PF00484	5220F000563 5220JG0016	5220NC00480							
3	4.8	5220TP00484	5220PF00485	5220F000563 5220JG0016	5220NC00485							
3	5.6	5220TP00564	5220PF00564	5220F000563 5220JG0016	5227NC00560							
3	6.4	5220TP00642	5220PF00644	5220F000643 5220JG0017	5227NC00640							









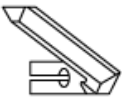

CTD9000-0-0-□□□M/CS002  
CTD9000-0-□□□M/CS002

Main Parts											Needle	UY128GAS # 11
	Throat plate											
Needle	m.m											
2	4.0	5222TP00401	5220PF00404	5227F000560 5227JG0005	5220NC00400	5220SL00560	5220LL00560	5220NG00563	5220NG00562			
2	4.8	5220TP00484	5220PF00484	5227F000560 5227JG0005	5220NC00480							
3	4.8	5220TP00484	5220PF00485	5227F000560 5227JG0005	5220NC00485							
3	5.6	5220TP00564	5220PF00564	5227F000560 5227JG0005	5227NC00560							



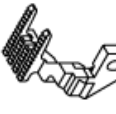





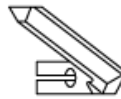



## CTD9000 GAUGE PARTS LIST

CTD9000-0-0 □□□H  
 CTD9000-0-0 □□□H





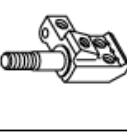
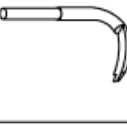


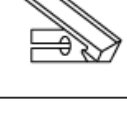
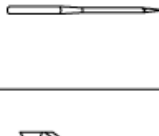
Main Parts											Needle	UY128GAS # 14
	Throat plate											
Needle												
2	5222TP00400	5220PF00404	5220F000563 5220D00016	5220DF000560 5220D00016	5220NC00400	5220SL000560	5220LL000560	5220NG000563	5220NG000562			
2	5222TP00480	5220PF00484	5220F000563 5220D00016	5220DF000560 5220D00016	5220NC00480	5220SL000560	5220LL000560	5220NG000563	5220NG000562			
3	5222TP00480	5220PF00485	5220F000563 5220D00016	5220DF000560 5220D00016	5220NC00485	5220SL000560	5220LL000560	5220NG000563	5220NG000562			
3	5220TP00566	5220PF00564	5220F000563 5220D00016	5220DF000560 5220D00016	5227NC000560	5220SL000560	5220LL000560	5220NG000563	5220NG000562			
3	5220TP00644	5220PF00644	5220F000643 5220D00017	5220DF000640 5220D00017	5227NC00640	5220SL000560	5220LL000560	5220NG000563	5220NG000562			

CTD9000-0-0 □□□H/CS002  
 CTD9000-0-0 □□□H/CS002





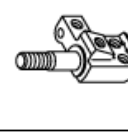
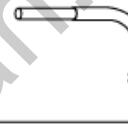


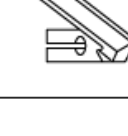
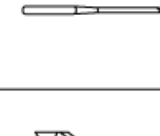
Main Parts											Needle	UY128GAS # 14
	Throat plate											
Needle												
2	5222TP00400	5220PF00404	5227F000560 5227D00005	5227DF000561 5227D00005	5220NC00400	5220SL000560	5220LL000560	5220NG000563	5220NG000562			
2	5222TP00480	5220PF00484	5227F000560 5227D00005	5227DF000561 5227D00005	5220NC00480	5220SL000560	5220LL000560	5220NG000563	5220NG000562			
3	5222TP00480	5220PF00485	5227F000560 5227D00005	5227DF000561 5227D00005	5220NC00485	5220SL000560	5220LL000560	5220NG000563	5220NG000562			
3	5220TP00566	5220PF00564	5227F000560 5227D00005	5227DF000561 5227D00005	5227NC000560	5220SL000560	5220LL000560	5220NG000563	5220NG000562			

## CTD9000 GAUGE PARTS LIST

CTD9000-0-0-□□□W  
CTD9000-0-□□□W








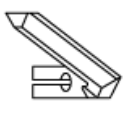

Main Parts										
	Throat plate	Presser foot asm	Main feed dog	Diff feed dog	Needle clamp	Upper looper	Lower looper	Needle guide	Needle guide	Needle
Needle										
3	5220TP00568	5220PF00564	5220FJ00563 5220JG0016 5220FJ00643	5220DF00560 5220DF00640	5227NC00560 5227NC00640	5220SL00560	5220LL00560	5220NG00563	5220NG00562	UY128GAS # 11
3	5220TP00646	5220PF00644	5220JG0017							

CTD9000-0-0-□□□W/CS002  
CTD9000-0-□□□W/CS002








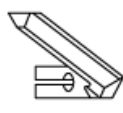

Main Parts										
	Throat plate	Presser foot asm	Main feed dog	Diff feed dog	Needle clamp	Upper looper	Lower looper	Needle guide	Needle guide	Needle
Needle										
3	5220TP00568	5220PF00564	5227FJ00560 5227JG0005	5227DF00561	5227NC00560	5220SL00560	5220LL00560	5220NG00563	5220NG00562	UY128GAS # 11

## CTD9000 GAUGE PARTS LIST

CTD9000-0-0 □□□□L  
 CTD9000-0-□□□□L











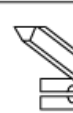
Main Parts		Presser foot asm								
	Throat plate									
Needle	m.m									
2	4.0	5222TP00402	5220PF00404	5220F000563 5220DG0016	5220NC00400	5220SL00560	5220LL00560	5220NG00563	5220NG00562	UY128GAS # 11
2	4.8	5222TP00481	5220PF00484	5220F000563 5220DG0016	5220NC00480					
3	4.8	5222TP00481	5220PF00485	5220F000563 5220DG0016	5220NC00485					
3	5.6	5222TP00560	5220PF00564	5220F000563 5220DG0016	5227NC00560					
3	6.4	5222TP00640	5220PF00644	5220F000643 5220DG0017	5227NC00640					

CTD9000-0-0 □□□□L/CS002  
 CTD9000-0-□□□□L/CS002












Main Parts		Presser foot asm								
	Throat plate									
Needle	m.m									
2	4.0	5222TP00402	5220PF00404	5227F000560 5227DG0005	5220NC00400	5220SL00560	5220LL00560	5220NG00563	5220NG00562	UY128GAS # 11
2	4.8	5222TP00481	5220PF00484	5227F000560 5227DG0005	5220NC00480					
3	4.8	5222TP00481	5220PF00485	5227F000560 5227DG0005	5220NC00485					
3	5.6	5222TP00560	5220PF00564	5227F000560 5227DG0005	5227NC00560					

# CTD9000 GAUGE PARTS LIST

CTD9000-0-0 □□□S  
CTD9000-0-□□□S

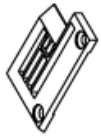




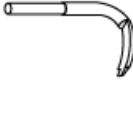



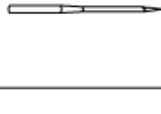
Main Parts		Throat plate		Stitch plate		Presser foot 0.5m		Main feed dog		Diff feed dog		Aux feed dog		Needle clamp		Upper looper		Lower looper		Needle guide		Needle	
	Needle	m.m																					
2	4.0	5222TP0056B   5222TPI140A   5222TP00403		5222PF00404		5222FD00560   5222FG0010		5222FC00480		5222NC00400		5222NL00560   5222NG00563		5222NG00562		UY128GAS # 11							
2	4.8	5222TP0056B   5222TPI148A   5222TP00483		5222PF00484		5222FD00560   5222FG0010		5222NC00480		5222NL00560   5222NG00563		5222NG00562											
3	4.8	5222TP0056B   5222TPI148A   5222TP00483		5222PF00485		5222FD00560   5222FG0010		5222NC00485		5222NL00560   5222NG00563		5222NG00562											
3	5.6	5222TP0056B   5222TPI156A   5222TP00563		5222PF00564		5222FD00560   5222FG0010		5227NC00560		5227NL00560   5227NG00564													
3	6.4	5222TP0056B   5222TPI164A   5222TP00643		5222PF00644		5222FD00560   5222FG0010		5227NC00640		5227NL00560   5227NG00640													

CTD9000-0-0 □□□S1  
CTD9000-0-□□□S1






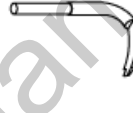




Main Parts		Throat plate		Stitch plate		Presser foot 0.5m		Main feed dog		Diff feed dog		Aux feed dog		Needle clamp		Upper looper		Lower looper		Needle guide		Needle
	Needle	m.m																				
2	4.0	5222TP0056B   5222TPI140C   5222TP00403		5222PF00404		5222FD00560   5222FG0010		5222NC00400		5222NL00560   5222NG00563		5222NG00562										
2	4.8	5222TP0056B   5222TPI148C   5222TP00483		5222PF00484		5222FD00560   5222FG0010		5222NC00480		5222NL00560   5222NG00563		5222NG00562										
3	4.8	5222TP0056B   5222TPI148C   5222TP00483		5222PF00485		5222FD00560   5222FG0010		5222NC00485		5222NL00560   5222NG00563		5222NG00562										
3	5.6	5222TP0056B   5222TPI156C   5222TP00563		5222PF00564		5222FD00560   5222FG0010		5227NC00560		5227NL00560   5227NG00564												
3	6.4	5222TP0056B   5222TPI164C   5222TP00643		5222PF00644		5222FD00560   5222FG0010		5227NC00640		5227NL00560   5227NG00640												

## CTD9000 GAUGE PARTS LIST

CTD9003-0-□□□M



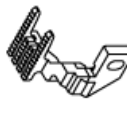


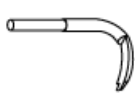

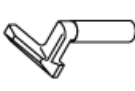
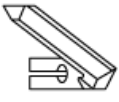

Main Parts										
	Needle m.m	Throat plate	Presser foot asm	Main feed dog	Diff feed dog	Needle clamp	Upper looper	Lower looper	Needle guide	Needle guide
2	5222TP03321	5222PF03321	5222F003560 5222D00005	5222D00005 5222D03560	5221NC15320	5220SL00560	5220LL00560	5220NG00563	5220NG00562	UY128GAS # 11
2	5222TP03401	5222PF03401	5222F003560 5222D00005	5222D00005 5222D03560	5220NC00480	5220SL00560	5220LL00560	5220NG00563	5220NG00562	
2	5222TP03481	5222PF03481	5222F003560 5222D00005	5222D00005 5222D03560	5220NC00480	5220SL00560	5220LL00560	5220NG00563	5220NG00562	
3	5222TP03561	5222PF03561	5222F003560 5222D00005	5222D00005 5222D03560	5227NC00560	5220SL00560	5220LL00560	5220NG00563	5220NG00562	
3	5222TP03641	5222PF03641	5222F003560 5222D00005	5222D00005 5222D03560	5227NC00640	5220SL00560	5220LL00560	5220NG00563	5220NG00562	

CTD9011-0-□□□M

Main Parts										
	Needle m.m	Throat plate	Presser foot asm	Main feed dog	Diff feed dog	Needle clamp	Upper looper	Lower looper	Needle guide	Needle guide
2	5222TP00401	5222PF11400	5220F000563 5220D00016	5220D00016 5220D03560	5220NC00400	5220SL00560	5220LL00560	5220NG00563	5220NG00562	UY128GAS # 11
2	5220TP00484	5222PF11480	5220F000563 5220D00016	5220D00016 5220D03560	5220NC00480	5220SL00560	5220LL00560	5220NG00563	5220NG00562	
3	5220TP00564	5222PF11560	5220F000563 5220D00016	5220D00016 5220D03560	5227NC00560	5220SL00560	5220LL00560	5220NG00563	5220NG00562	
3	5220TP00642	5222PF11640	5220F000643 5220D00017	5220D00017 5220D03560	5227NC00640	5220SL00560	5220LL00560	5220NG00563	5220NG00562	



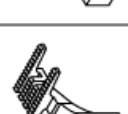
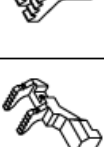
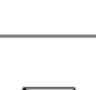
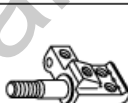


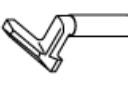
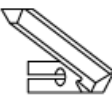

## CTD9000 GAUGE PARTS LIST

CTD9011-0- □□□M/CS002

Main Parts	 Throat plate	 Presser foot asm	 Main feed dog	 Diff feed dog	 Needle clamp	 Upper looper	 Lower looper	 Needle guide	 Needle guide	 Needle		
											Needle	m.m
											2	4.0
											2	4.8

5.6	5.6	5.6	5.6	5.6	5.6	5.6	5.6	5.6	5.6	5.6
5222IP00401	5222PF11400	5227F000560	5227F000560	5227DF00561	5220NC00400	5220SL00560	5220LL00560	5220NG00563	5220NG00562	UY128GAS # 11
5220TP00484	5222PF11480	5227J00005	5227J00005	5227DF00561	5220NC00480	5220SL00560	5220LL00560	5220NG00563	5220NG00562	UY128GAS # 11
5220TP00564	5222PF11560	5227J00005	5227J00005	5227DF00561	5227NC00560	5220SL00560	5220LL00560	5220NG00563	5220NG00562	UY128GAS # 11





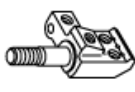
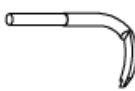

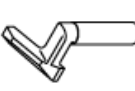
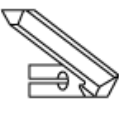

CTD9013-0- □□□M

Main Parts	 Throat plate	 Presser foot asm	 Main feed dog	 Diff feed dog	 Aux feed dog	 Needle clamp	 Upper looper	 Lower looper	 Needle guide	 Needle guide	 Needle		
												Needle	m.m
												2	4.0
												2	4.8









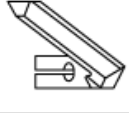

4.8	4.8	4.8	4.8	4.8	4.8	4.8	4.8	4.8	4.8	4.8	
5222IP13403	5220PF00404	5220DF00563	5220DF13563	5220DF00001	5220AF13560	5220NC00400	5220SL00560	5220LL00560	5220NG00563	5220NG00562	UY128GAS # 11
5222IP13483	5220PF00484	5220DF00563	5220DF13563	5220J0001	5220AF13560	5220NC00480	5220SL00560	5220LL00560	5220NG00563	5220NG00562	UY128GAS # 11
5222IP13483	5220PF00485	5220DF00563	5220DF13563	5220J0001	5220AF13560	5220NC00485	5220SL00560	5220LL00560	5220NG00563	5220NG00562	UY128GAS # 11
5.6	5.6	5.6	5.6	5.6	5.6	5.6	5.6	5.6	5.6	5.6	
5222IP13563	5220PF00564	5220DF00643	5220DF13643	5220J0001	5220AF13640	5227NC00560	5220SL00560	5220LL00560	5220NG00563	5220NG00562	UY128GAS # 11
6.4	6.4	6.4	6.4	6.4	6.4	6.4	6.4	6.4	6.4	6.4	
5222IP13643	5220PF00644	5220DF00643	5220DF13643	5220J0002	5220AF13640	5227NC00640	5220SL00560	5220LL00560	5220NG00563	5220NG00562	UY128GAS # 11

## CTD9000 GAUGE PARTS LIST

CTD9013-0 - □□□M/CS002



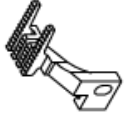


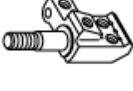



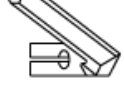

Main Parts										
Needle	min									
2	4.0	5222TP13403	5220PF00404	5227F000560 5227J00005 5227DF00561	5220NC00400	5220SL00560	5220LL00560	5220NG00563	5220NG00562	UY128GAS # 11
2	4.8	5222TP13483	5220PF00484	5227F000560 5227J00005 5227DF00561	5220NC00480					
3	5.6	5222TP13563	5220PF00564	5227F000560 5227J00005 5227DF00561	5227NC00560					

CTD9013-1 - □□□M











Main Parts										
Needle	min									
2	4.0	5222TP13404	5220PF00404	5220F000563 5220G0003 5220DF00563	5220AF00400	5220SL00560	5220LL00560	5220NG00563	5220NG00562	UY128GAS # 11
2	4.8	5222TP13484	5220PF00484	5220F000563 5220G0003 5220DF00563	5220NC00480					
3	4.8	5222TP13484	5220PF00485	5220F000563 5220G0003 5220DF00563	5220NC00485					
3	5.6	5222TP13564	5220PF00564	5220F000563 5220G0003 5220DF00563	5227NC00560					
3	6.4	5222TP13644	5220PF00644	5220F000643 5220G0004 5220DF00643	5227NC00640					

## CTD9000 GAUGE PARTS LIST

CTD9013-2-□□□M

Main Parts											
	Throat plate	Presser foot asm	Main feed dog	Diff feed dog	Aux feed dog	Needle clamp	Upper looper	Lower looper	Needle guide	Needle guide	Needle
Needle	m.m										
2	4.0	5222TP13402	5220PF00404	5220F100563 5222JG0001	5220DF13563 5220AF13560	5220NC00400					UY128GAS # 11
2	4.8	5222TP13482	5220PF00484	5220F100563 5222JG0001	5220DF13563 5220AF13560	5220NC00480					
3	4.8	5222TP13482	5220PF00485	5220F100563 5222JG0001	5220DF13563 5220AF13560	5220NC00485	5220SL00560	5220LL00560	5220NG00563	5220NG00562	
3	5.6	5222TP13562	5220PF00564	5220F100643 5222JG0002	5220DF13643 5220AF13640	5227NC00560					
3	6.4	5222TP13642	5220PF00644			5227NC00640					

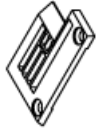






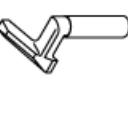
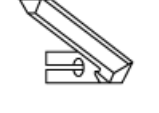
CTD9013-2-□□□M/CS002

Main Parts											
	Throat plate	Presser foot asm	Main feed dog	Diff feed dog	Needle clamp	Upper looper	Lower looper	Needle guide	Needle guide	Needle	
Needle	m.m										
2	4.0	5222TP13402	5220PF00404	5227F100560 5227JG0005	5227DF00561 5227JG0005	5220NC00400				UY128GAS # 11	
2	4.8	5222TP13482	5220PF00484	5227F100560 5227JG0005	5227DF00561 5227JG0005	5220NC00480	5220SL00560	5220LL00560	5220NG00563	5220NG00562	
3	5.6	5222TP13562	5220PF00564	5227F100560 5227JG0005	5227DF00561 5227JG0005	5227NC00560					






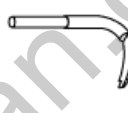

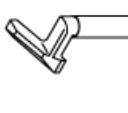



# CTD9000 GAUGE PARTS LIST

CTD9042-0-□□□□  
 CTD9042-1-□□□□  
 CTD9042-2-□□□□  
 CTD9042-3-□□□□  
 CTD9042-5-□□□□

Main Parts		Throat plate		Presser foot asm		Main feed dog		Differential feed dog		Needle clamp		Upper looper		Lower looper		Needle guide		Needle	UY128GAS
																			# 11
Needle m.m	3	5.6	5220TP42562	5220PF42561	5220F042562	5220D0001	5220F042562	5227NC00560	5220SL00560	5220LL00560	5220NG00563	5220NG00562							
	3	6.4	5220TP42642	5220PF42641	5220F042562	5220D0001	5220F042562	5227NC00640											





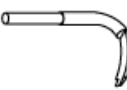


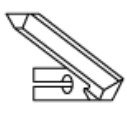

CTD9060-0-4 □□□□

Main Parts		Throat plate		Presser foot asm		Main feed dog		Differential feed dog		Needle clamp		Upper looper		Lower looper		Needle guide		Needle	MY1014B	
																			# 11	
Needle m.m	4	5.2	5227TP60520	5221PF60520	5220F00643	5220D0007	5220F00640	5228NC60521												
	4	5.6	5227TP60560	5221PF60560	5220F00643	5220D0007	5220F00640	5228NC60561												
	4	6.0	5227TP60600	5221PF60600	5220F00643	5220D0007	5220F00640	5228NC60601												
	4	6.4	5227TP60640	5221PF60640	5220F00643	5220D0007	5220F00640	5228NC60641												








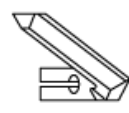

\*OPTION-MAKE TO ORDER

## CTD9000 GAUGE PARTS LIST

CTD9085-0-□□□M



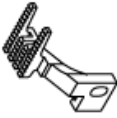







Main Parts		Presser foot asm								
	Throat plate									
Needle	m.m									
2	4.0	5220TP85400	5222PF85400	5220F085561 5220J0000	5220NC00400	5220SL00560	5220LL00560	5220NG00563	5220NG00562	UY128GAS # 11
2	4.8	5220TP85480	5222PF85480	5220F085561 5220J0000	5220NC00480					
3	5.6	5220TP85560	5222PF85560	5220F085561 5220J0000	5227NC00560					
3	6.4	5220TP85641	5222PF85640	5220F085561 5220J0000	5227NC00640					

CTD9085-0-□□□M/CS001  
CTD9085-0-□□□M/CS01P









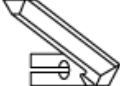

Main Parts		Presser foot asm								
	Throat plate									
Needle	m.m									
2	4.0	5220TP85400	5222PF85400	5227F085560 5227J00006	5220NC00400	5220SL00560	5220LL00560	5220NG00563	5220NG00562	UY128GAS # 11
2	4.8	5220TP85480	5222PF85480	5227F085560 5227J00006	5220NC00480					
3	5.6	5220TP85560	5222PF85560	5227F085560 5227J00006	5227NC00560					
3	6.4	5220TP85641	5222PF85640	5227F085560 5227J00006	5227NC00640					

## CTD9000 GAUGE PARTS LIST

CTD9200-0-0-□□□□H  
 CTD9200-0-□□□□H









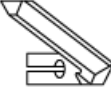

Main Parts										
	Throat plate	Presser foot asm	Main feed dog	Diff feed dog	Needle clamp	Upper looper	Lower looper	Needle guide	Needle guide	Needle
Needle										
3	5220TP00567	5220PF00563	5220F00565 5220G0024	5220DF00561	5227NC00560	5220SL00560	5220LL00560	5220NG00563	5220NG00562	UY128GAS # 14
3	5220TP00645	5220PF00643	5220F00565 5220G0024	5220DF00561	5227NC00640					

CTD9311-0-0-□□□□M  
 CTD9311-0-□□□□M










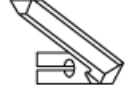

Main Parts										
	Throat plate	Presser foot asm	Main feed dog	Diff feed dog	Needle clamp	Upper looper	Lower looper	Needle guide	Needle guide	Needle
Needle										
2	5227TPL1400	5222PFL1400	5220FL1561 5220G0012	5220DFL1561	5220NC00400	5220SL00560	5220LL00560	5220NG00563	5220NG00562	UY128GAS # 11
2	5227TPL1480	5222PFL1480	5220FL1561 5220G0012	5220DFL1561	5220NC00480					
3	5227TPL1560	5222PFL1560	5220FL1561 5220G0012	5220DFL1561	5227NC00560					
3	5227TPL1640	5222PFL1640	5220FL1561 5220G0012	5220DFL1561	5227NC00640					

## CTD9000 GAUGE PARTS LIST

CTD9311-0-0 □□□M/CS003  
 CTD9311-0- □□□M/CS003





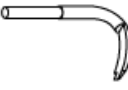


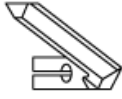

Main Parts										
	Throat plate	Presser foot asm	Main feed dog	Diff feed dog	Needle clamp	Upper looper	Lower looper	Needle guide	Needle guide	Needle
Needle	m.m									
2	4.0	5227TPL1400	5222PFL1400	5227DFL1561 5227DG007	5220NC00400	5220SL00560	5220LL00560	5220NG00563	5220NG00562	UY128GAS # 11
2	4.8	5227TPL1480	5222PFL1480	5227DFL1561 5227DG007	5220NC00480					
3	5.6	5227TPL1560	5222PFL1560	5227DFL1561 5227DG007	5227NC00560					
3	6.4	5227TPL1640	5222PFL1640	5227DFL1561 5227DG007	5227NC00640					

CTD9311-0-0 □□□S  
 CTD9311-0- □□□S




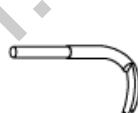

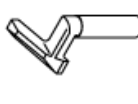
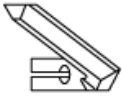

Main Parts											
	Throat plate	Stitch plate Tongue	Presser foot asm	Main feed dog	Diff feed dog	Needle clamp	Upper looper	Lower looper	Needle guide	Needle guide	Needle
Needle	m.m										
2	4.0	5222TPL1568 5222TPL1402	5222TPL140A	5222PFL1400	5222DFL1560 5222DG009	5220NC00400					
2	4.8	5222TPL1568 5222TPL1482	5222TPL148A	5222PFL1480	5222DFL1560 5222DG009	5220NC00480					
3	4.8	5222TPL1568 5222TPL1482	5222TPL148A	5222PFL1481	5222DFL1560 5222DG009	5220NC00485	5220SL00560	5220LL00560	5220NG00563	5220NG00562	UY128GAS # 11
3	5.6	5222TPL1568 5222TPL1562	5222TPL156A	5222PFL1560	5222DFL1560 5222DG009	5227NC00560					
3	6.4	5222TPL1568 5222TPL1642	5222TPL164A	5222PFL1640	5222DFL1560 5222DG009	5227NC00640					

## CTD9000 GAUGE PARTS LIST

CTD9311-0-0 □□□S1  
CTD9311-0- □□□S1

Main Parts		Throat plate		Presser foot asm			Needle clamp						Needle UY128GAS # 11
2	5227TPI156B	5222TPI140C	5222PFL1400	5222FDL1560	5222DFL1560	5220NC00400	5220LL00560	5220NG00563	5220NG00562				
2	5227TPI156B	5222TPI148C	5222PFL1480	5222FDL1560	5222DFL1560	5220NC00480	5220SL00560						
3	5227TPI156B	5222TPI148C	5222PFL1481	5222FDL1560	5222DFL1560	5220NC00485							
3	5227TPI156B	5222TPI156C	5222PFL1560	5222FDL1560	5222DFL1560	5227NC00560							
3	5227TPI156B	5222TPI164C	5222PFL1640	5222FDL1560	5222DFL1560	5227NC00640							

CTD9311-0-0 □□□S2  
CTD9311-0- □□□S2

Main Parts		Throat plate		Main feed dog		Needle clamp						Needle UY128GAS # 11
3	5227TPI1561	5222PFL1560	5222FDL1561	5222DFL1561	5227NC00560	5220SL00560	5220LL00560	5220NG00563	5220NG00562			
3	5227TPI1641	5222PFL1640	5222FDL1561	5222DFL1561	5227NC00640							

## CTD9000 GAUGE PARTS LIST

CTD9311-0-0-□□□□H  
 CTD9311-0-0-□□□□H

Main Parts	Throat plate	Presser foot asm	Main feed dog	Diff feed dog	Needle clamp	Upper looper	Lower looper	Needle guide	Needle guide	Needle
Models m.m	2 4.0 5227TPL1400	5222PFL1400	5227FDL1561 5227JG0004	5220DFL1561 5227JG0004	5220NC00400	5220SL00560	5220LL00560	5220NG00563	5220NG00562	UY128GAS # 11
	2 4.8 5227TPL1480	5222PFL1480	5227FDL1561 5227JG0004	5220DFL1561 5227JG0004	5220NC00480	5220SL00560	5220LL00560	5220NG00563	5220NG00562	
	3 5.6 5227TPL1560	5222PFL1560	5227FDL1561 5227JG0004	5220DFL1561 5227JG0004	5227NC00560	5220SL00560	5220LL00560	5220NG00563	5220NG00562	
	3 6.4 5227TPL1640	5222PFL1640	5227FDL1561 5227JG0004	5220DFL1561 5227JG0004	5227NC00640	5220SL00560	5220LL00560	5220NG00563	5220NG00562	

[www.garudan.cz](http://www.garudan.cz)